

Hunter[®]
THE IRRIGATION INNOVATORS

REPLACEMENT PARTS

PRICELIST 2010

EFFECTIVE NOVEMBER 2009



ROTORS SPRAYS MP ROTATOR VALVES CONTROLLERS SENSORS CENTRAL CONTROLS MICRO

TABLE OF CONTENTS

Rotors

PGJ-00: Gear-Driven Sprinkler	1
PGJ-04, 06, 12: Gear-Driven Sprinklers	2
PGM-00: Gear-Driven Sprinkler	3
SRM-04, PGM-04, 06, 12: Gear-Driven Sprinklers	4
PGS: Gear-Driven Sprinklers	5
PGP®: Gear-Driven Sprinklers	6
PGP-ATR: Gear-Driven Sprinklers	7
PGH: Gear-Driven Sprinklers	8
PGP-00: Gear-Driven Sprinklers	9
PGP-04 Ultra, PGP-12CV Ultra: Gear-Driven Sprinklers	10
I-20-00 Ultra: Gear-Driven Sprinklers	11
I-20-04, 06, 12 Ultra: Gear-Driven Sprinklers	12
I-25-04, 06 Ultra: Gear-Driven Sprinklers	13
I-35-06 Sierra: Gear-Driven Sprinklers	14
I-40-04, 06 Ultra: Gear-Driven Sprinklers	15
I-60: Gear-Driven Sprinkler	16
I-90: Gear-Driven Sprinkler	17

Sprays

PS: Spray Sprinkler	18
PSU-02, 04, 06: PS Ultra Spray Sprinklers	19
SRS-02, 03, 04, 06, 12: Spray Sprinklers	20
PROS-02, 03, 04, 06, 12: Pro-Spray Sprinklers	21
INST-04, 06, 12: Institutional Spray Sprinklers	22
MPR40-04 CV, 06 CV, 12 CV: MP Rotator Sprinkler Body	23

Valves

SRV: Plastic Valve	24
AVB: Plastic Valve	25
PGV-ASV: Plastic Valve (6-Bolt Bonnet Design)	26
PRO-ASV: Plastic Valve	27
PGV-100G/101G: Plastic Valves	28
PGV Jar-Top: Plastic Valve	29
PGV-100A/101A: Plastic Valves	30
PGV-151G, 201G: Plastic Valves	31
HPV: Plastic Valve	32
ICV-101G, 151G & 201G: Plastic Valves	33
ICV-301: Plastic Valve	34
IBV-101G, 151G & 201G : Brass Valves	35
IBV-301G: Brass Valves	36
Accu-Set™: Pressure Regulator	37
HBV: Brass Valve	39-40

HQ3RC: Quick Coupler Valve	41
HQ33RC, HQ33LRC, HQ33LRCR: Quick Coupler Valve	42
HQ44RC, HQ44LRC, HQ44LRCR: Quick Coupler Valve	43
HQ44RCAW, HQ44LRCAW, HQ44LRCAWR: Quick Coupler Valve	44
HQ5RC, HQ5LRC, HQ5LRCR: Quick Coupler Valve	45
ICZ-101: Drip Control Zone Kit	46
PCZ-101: Drip Control Zone Kit	47
ACZ-075: Drip Control Zone Kit	48

Controllers

XC Controller: Residential Controller	49
XC Hybrid Controller: Residential Controller (Battery Operated)	50
SRC Plus: Residential/Light Commercial Controller	51
Pro-C: Indoor (PC-300i) & Outdoor (PC-300) Controllers	52
PCC: Indoor and Outdoor Controllers	53
ICC: Institutional/Commercial Controller (ICC-800PL & ICC-801PL) - Plastic Cabinet	54
ICC: Institutional/Commercial Controller (ICC-800M & 800SS) - Metal Cabinet	55
ICC Plastic Pedestal	56
IMMS-CCC: Irrigation Management and Monitoring System™	57
IMMS-SI: Irrigation Management and Monitoring System™	58
IMMS-CI: Irrigation Management and Monitoring System™	59
ACC Wall Mount Controllers (ACC1200, ACC99D)	60
ACC Pedestal Controllers (ACC1200PP, AGC1200PP, AGC99DPP)	61
Steel Controller Enclosure Parts (IDSSP, IDSSW)	62
Plastic Pedestal Kits IDS-PP	63
Plastic Wall Enclosure Kits IDS-PW	64
IDS Decoder Controller Components	65
ET Systems	66
ICR: Remote Control Unit	67
ROAM: Remote Control Unit	68
SVC & WVC Controllers	69
PSR-22, PSR-52, PSR-53: Pump Start Relays	70
PSR-B: Pump Start Relay Booster	71

Sensors

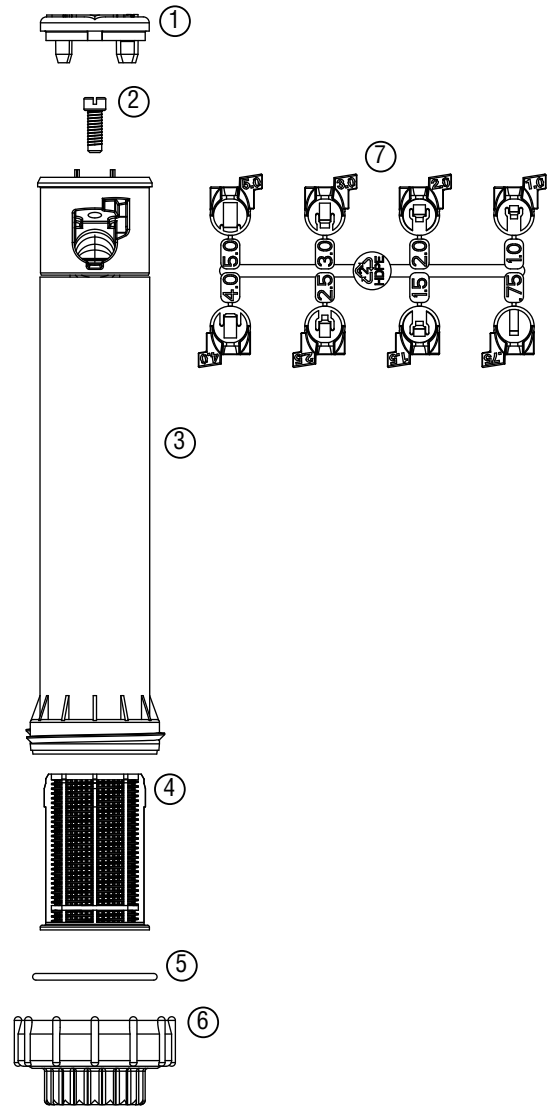
Mini-Click®: Rain Sensor	72
WRC & WRFC: Wireless Rain Sensors	73
Rain-Click™: Rain Sensor	74

Miscellaneous

Misc. Accessories	75-76
-------------------------	-------

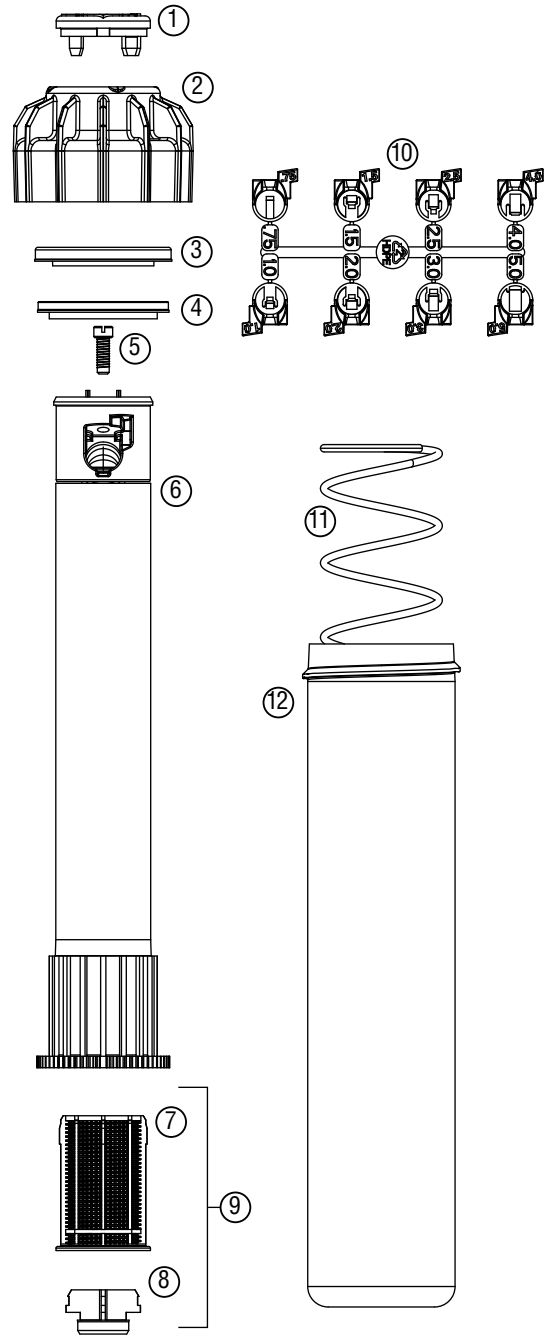
PGJ-00: Gear-Driven Sprinkler

Item	Description	Catalog No.	Price	
①	Rubber Cover	Black	537800	\$1.00
		Purple	537810	\$2.00
②	Nozzle Retention Screw	537900	\$0.50	
③	Riser Assembly (Includes parts 2 & 4)	550600	\$16.00	
④	Screen	272000	\$0.50	
⑤	O-ring	464500	\$0.25	
⑥	Shrub Head Base	372800	\$1.00	
⑦	Nozzle Rack (with 8 nozzles)	538700	\$0.50	



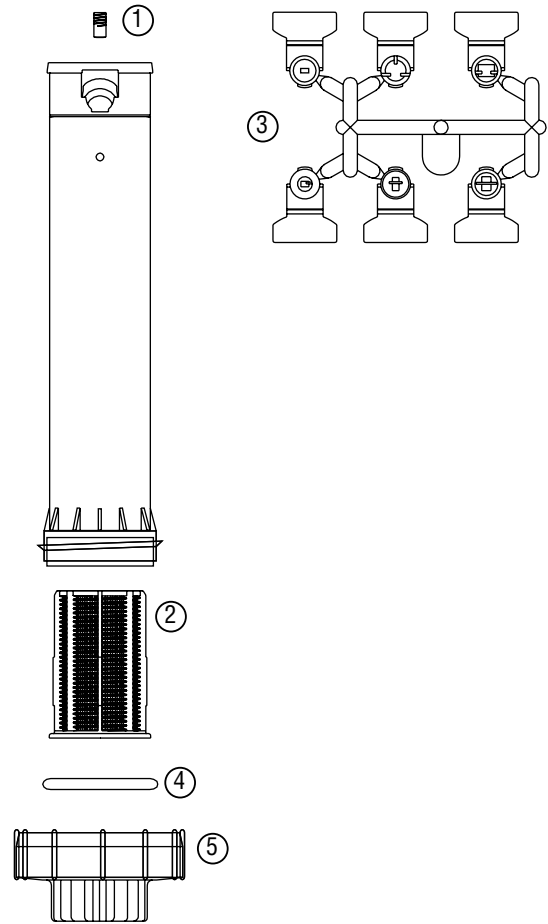
PGJ-04, 06, 12: Gear-Driven Sprinklers

Item	Description	Catalog No.	Price	
①	Rubber Cover	Black	537800	\$1.00
		Black with Check Valve ID	537805	\$1.50
		Purple with Check Valve ID	537810	\$2.00
②	Body Cap	537400	\$2.00	
③	Riser Seal	538100	\$0.80	
④	Spring Seat	326500	\$0.35	
⑤	Nozzle Retention Screw	537900	\$0.50	
⑥	Riser Assembly			
	4" w/ Black (Incl 5 & 7)	550900	\$17.00	
	4" Black w/ Check Valve Logo (Incl 5 & 9)	551000	\$23.00	
	4" Purple w/ Check Valve Logo (Incl 5 & 9)	551000	\$24.00	
	6" w/ Black (Incl 5 & 7)	551300	\$25.00	
	6" Black w/ Check Valve Logo (Incl 5 & 9)	551400	\$27.00	
	6" Purple w/ Check Valve Logo (Incl 5 & 9)	551400	\$28.00	
	12" w/ Black (Incl 5 & 7)	647000	\$35.00	
	12" Black w/ Check Valve Logo (Incl 5 & 9)	645900	\$37.00	
	12" Purple w/ Check Valve Logo (Incl 5 & 9)	647100	\$38.00	
⑦	Screen	272000	\$0.50	
⑧	Check Valve (Bag of 25)	462078	\$18.75	
⑨	Screen/Check Valve Assembly	302500	\$1.00	
⑩	Nozzle Rack (w/ 8 nozzles)	538700	\$0.50	
⑪	Retraction Spring	4"	272705	\$4.00
		6"	272710	\$6.00
		12"	272715	\$8.00
⑫	Body	4"	537300	\$4.00
		6"	538400	\$6.00
		12"	538500	\$10.00



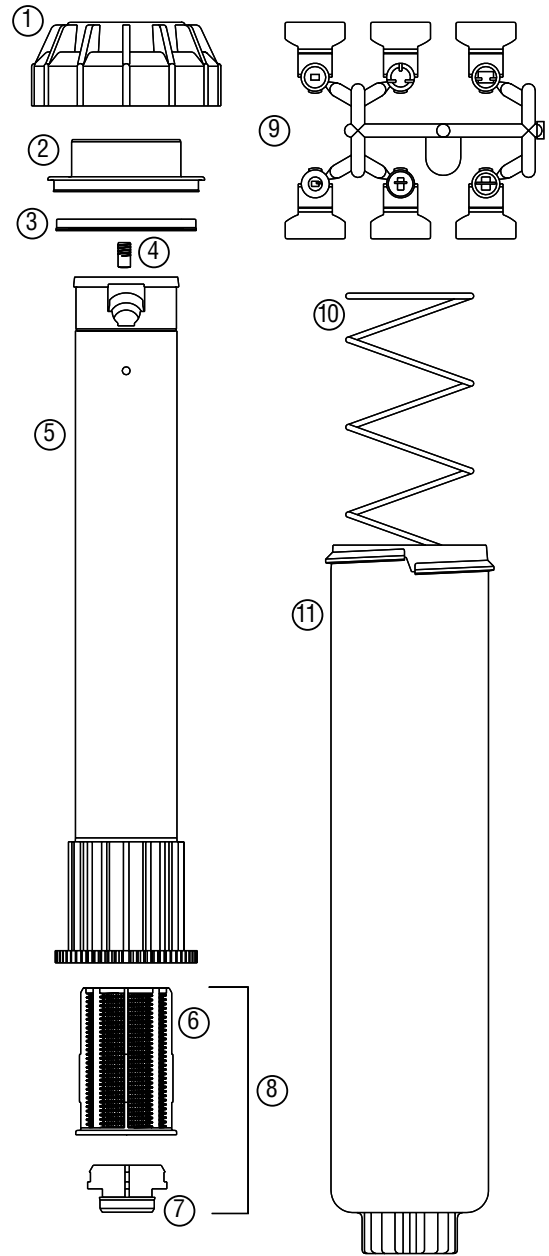
PGM-00: Gear-Driven Sprinkler

Item	Description	Catalog No.	Price
①	Nozzle Retention Screw (Bag of 25)	463262	\$12.50
②	Screen (White)	272000	\$0.50
③	Nozzle Rack (w/ 0.50, 0.75, 1.0, 1.5, 2.0, 3.0)	327000	\$0.50
④	O-ring	464500	\$0.25
⑤	Shrub Head Base	372800	\$1.00



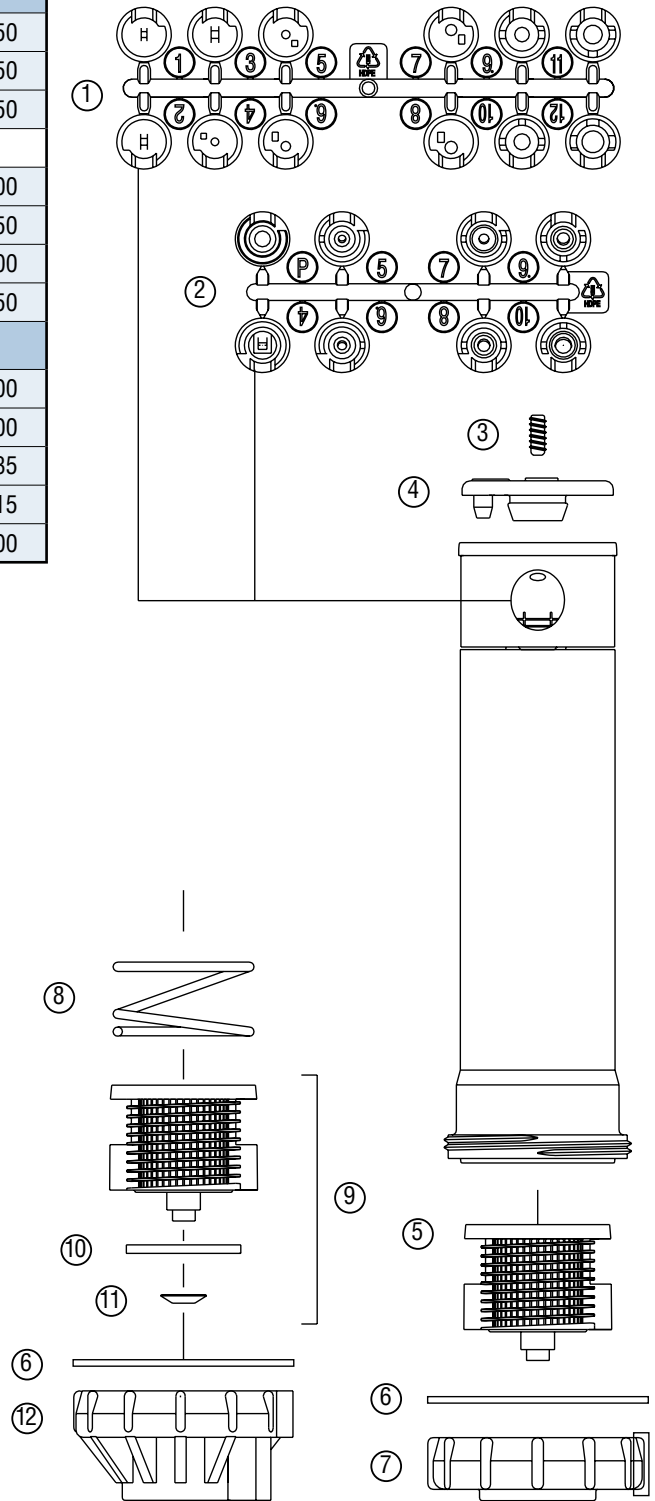
SRM-04, PGM-04, 06, 12: Gear-Driven Sprinklers

Item	Description	Catalog No.	Price	
①	Body Cap	270700	\$3.00	
②	Riser Seal	326400	\$0.75	
③	Spring Seat	326500	\$0.35	
④	Nozzle Retention Screw (Bag of 25)	463262	\$12.50	
⑤	Riser Assembly with Screw (4" Black Logo)	328105	\$17.00	
⑥	Screen (White)	272000	\$0.50	
⑦	Check Valve (Bag of 25)	462078	\$18.75	
⑧	Screen/Check Valve Assembly	302500	\$1.00	
⑨	Nozzle Rack (w/ 0.50, 0.75, 1.0, 1.5, 2.0, 3.0)	327000	\$0.50	
⑩	Retraction Spring	4"	272705	\$4.00
		6"	272710	\$6.00
		12"	272715	\$8.00
⑪	Body	4"	271100	\$4.00



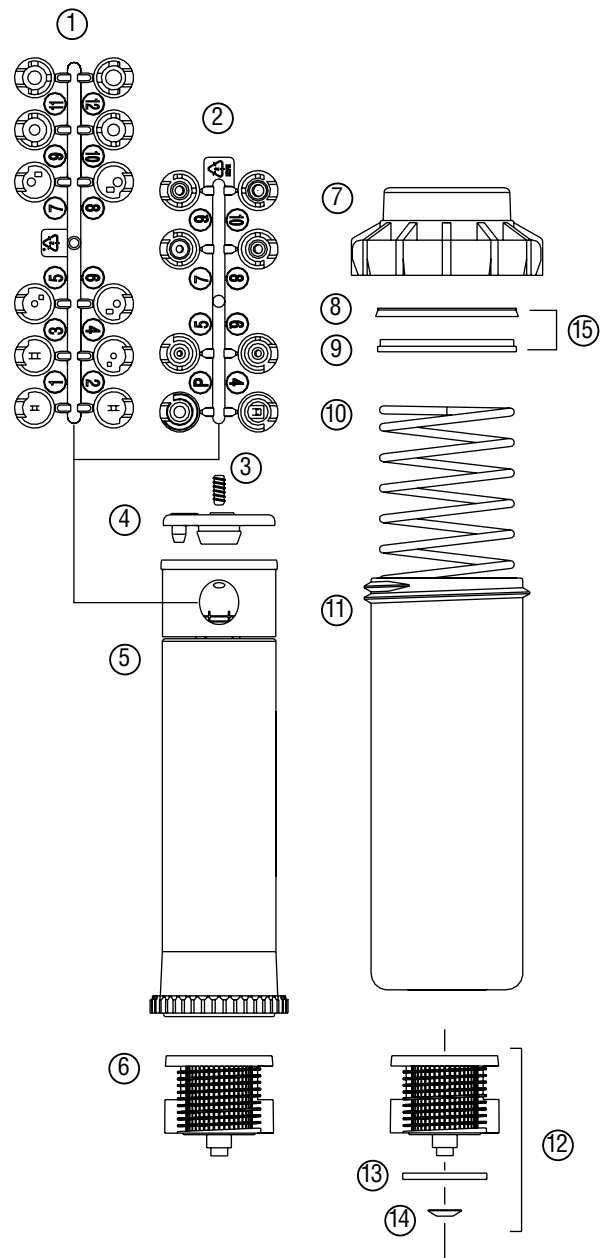
PGS: Gear-Driven Sprinkler (for models with date codes prior to March 2009)

Item	Description	Catalog No.	Price
①	Standard Nozzle Set (12) 25° Trajectory	130900	\$0.50
②	Low Angle Nozzle Set (7) 13° Trajectory	233200	\$0.50
③	Set Screw	120300	\$0.50
④	Protective Rubber Cover <i>(Fits Units Manufactured After 2/93)</i>		
	Black (ADJ)	269400	\$1.00
⑤	Standard Filter Screen <i>(Black)</i>	102600	\$0.50
⑥	O-Ring	170600	\$1.00
⑦	Standard Shrub Head Base	106900	\$3.50
Options			
⑧	Check Valve Spring	235000	\$1.00
⑨	Filter Screen/Check Valve Sub Assembly	142300	\$1.00
⑩	Check Valve Seal	101400	\$0.35
⑪	Retainer Clip	204900	\$0.15
⑫	Shrub Head Base for Check Valve Use	234900	\$4.00



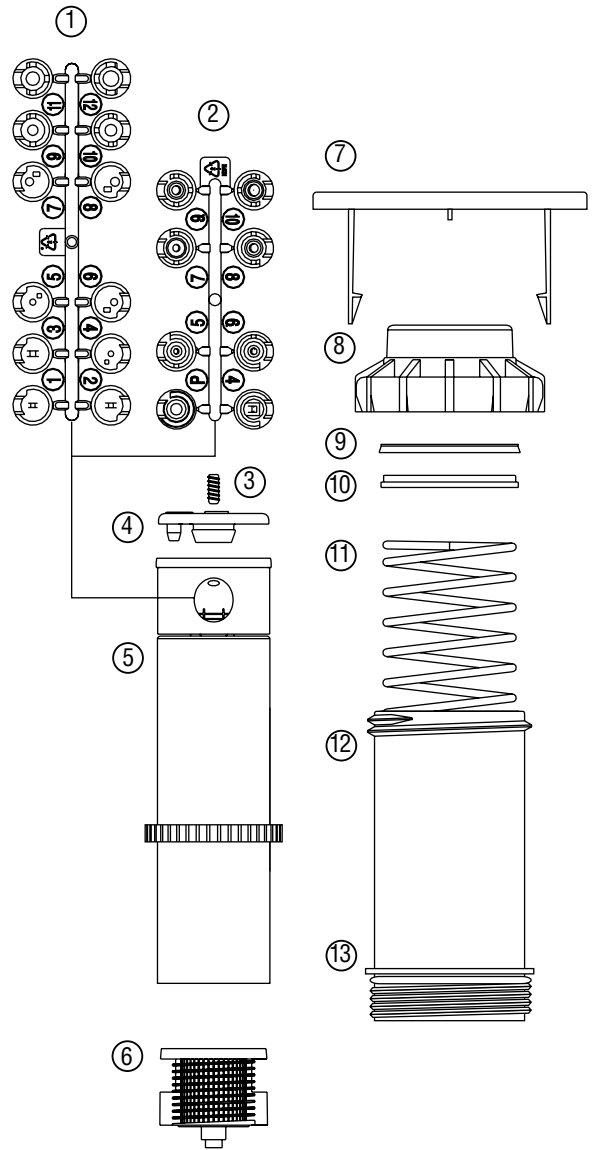
PGP®: Gear-Driven Sprinkler

Item	Description	Catalog No.	Price	
①	Standard Nozzle Set (12) 25° Trajectory	130900	\$0.50	
②	Low Angle Nozzle Set (7) 13° Trajectory	233200	\$0.25	
③	Set Screw	120300	\$0.50	
④	Protective Rubber Cover (<i>Fits Units Manufactured After 2/93</i>)			
	Black (ADJ)	269400	\$1.00	
	Purple (ADJ)	297900	\$2.00	
⑤	Riser Assembly	ADJ	131105	\$22.00
⑥	Standard Filter Screen (<i>Black</i>)	102600	\$0.50	
⑦	Body Cap	103700	\$3.75	
⑧	Riser Seal	181500	\$1.00	
⑨	Spring Seat	189900	\$0.35	
⑩	Retraction Spring	ADJ	104000	\$4.00
⑪	Pop-Up Body	100200	\$6.00	
⑫	Filter Screen/Check Valve Sub-Assembly	142300	\$1.00	
⑬	Check Valve Seal	101400	\$0.35	
⑭	Retainer Clip	204900	\$0.15	
⑮	Seal Replacement Kit (<i>Includes Parts 8 & 9</i>)	253400	\$1.00	



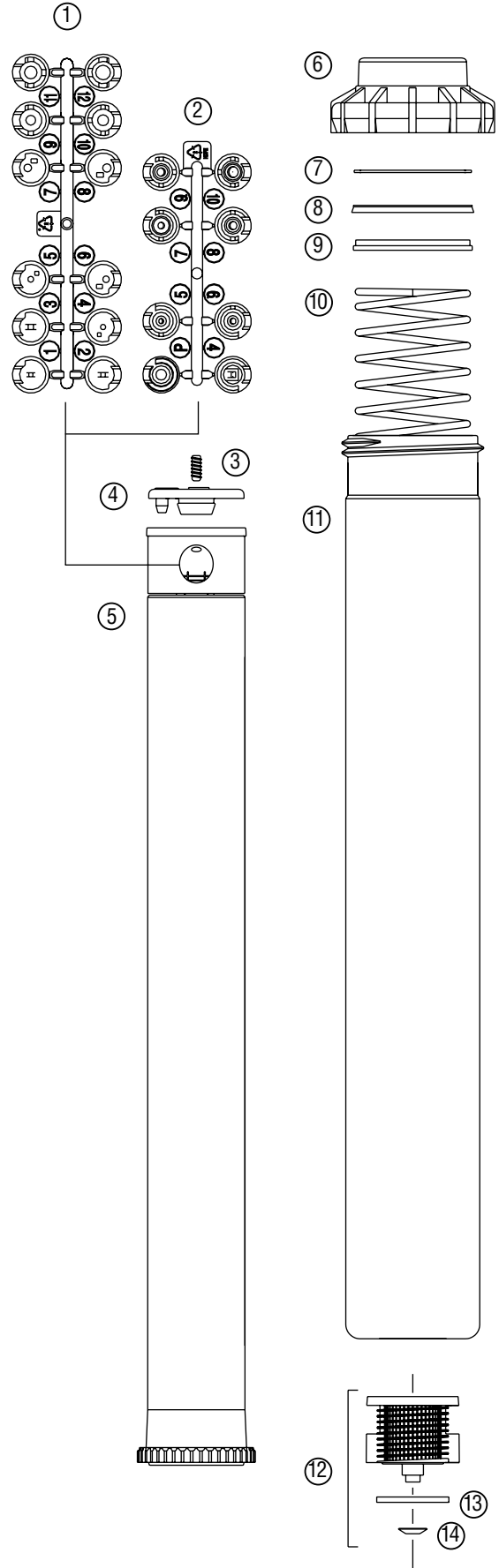
PGP-ATR: Gear-Driven Sprinkler

Item	Description	Catalog No.	Price	
①	Standard Nozzle Set (12) 25° Trajectory	130900	\$0.50	
②	Low Angle Nozzle Set (7) 13° Trajectory	233200	\$0.50	
③	Set Screw	120300	\$0.50	
④	Protective Rubber Cover	Black (ADJ)	269400	\$1.00
⑤	Riser Assembly	417800	\$24.00	
⑥	Standard Filter Screen (Black)	102600	\$0.50	
⑦	ATR Cap	417700	\$3.00	
⑧	Body Cap	103700	\$3.75	
⑨	Riser Seal	181500	\$1.00	
⑩	Spring Seat	189900	\$0.35	
⑪	Retraction Spring	417600	\$4.00	
⑫	Pop-Up Body	417400	\$6.00	
⑬	O-Ring	418200	\$0.50	



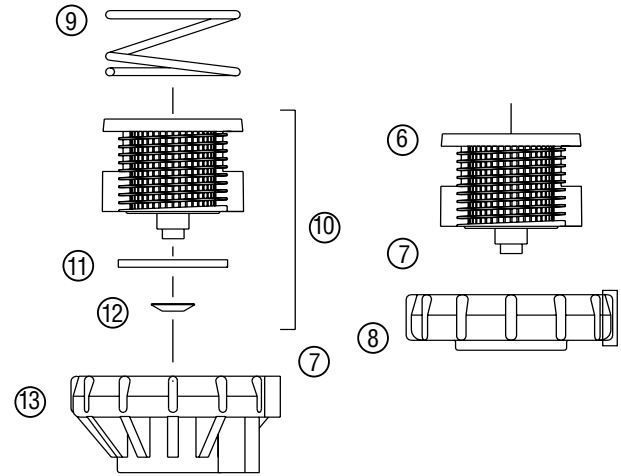
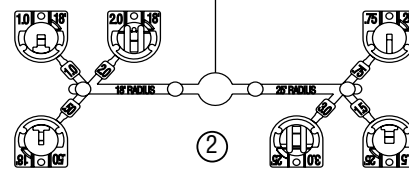
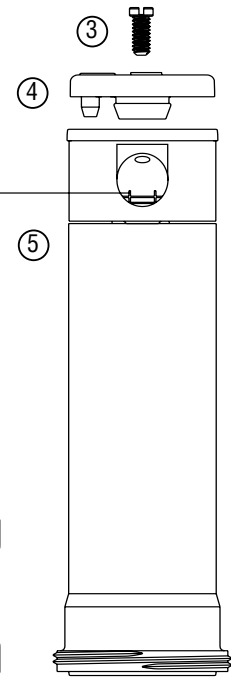
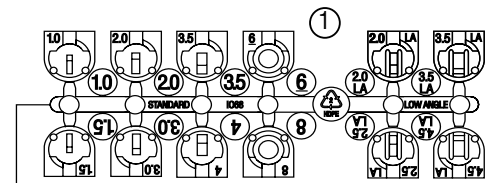
PGH: Gear-Driven Sprinkler (for models with date codes prior to March 2009)

Item	Description	Catalog No.	Price	
①	Standard Nozzle Set (12) 25° Trajectory	130900	\$0.50	
②	Low Angle Nozzle Set (7) 13° Trajectory	233200	\$0.50	
③	Set Screw	120300	\$0.50	
④	Protective Rubber Cover	Black (ADJ)	269400	\$1.00
⑤	Riser Assembly	184000	\$42.00	
⑥	Body Cap	103700	\$3.75	
⑦	Slip Washer	296100	\$0.25	
⑧	Riser Seal	181500	\$1.00	
⑨	Spring Seat	189900	\$0.35	
⑩	Retraction Spring	179500	\$14.00	
⑪	Body	179100	\$16.00	
⑫	Filter Screen/Check Valve Assembly (Black)	142300	\$1.00	
⑬	Check Valve Seal	101400	\$0.35	
⑭	Retainer Clip	204900	\$0.15	



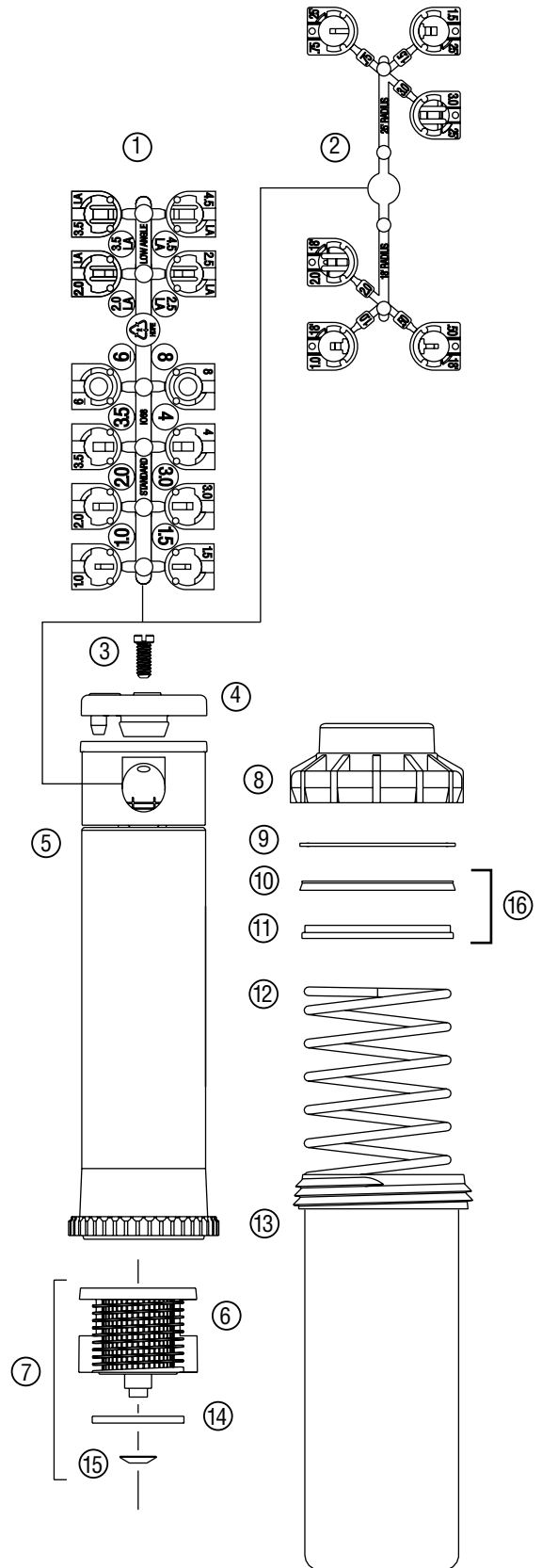
PGP-00: Gear-Driven Sprinkler

Item	Description	Catalog No.	Price	
①	Standard (8) and Low Angle (4) Nozzle Set, Blue & Gray	782900	\$0.50	
②	Short Radius Nozzle Set (6), Black	466100	\$0.50	
③	Nozzle Retainer Screw - Headed w/ Slot	180900	\$0.50	
④	Rubber Cover Assembly	Black	183600	\$1.00
		Purple	183605	\$2.00
⑤	Riser Assembly	182000	\$22.00	
⑥	Standard Filter Screen (Black)	102600	\$0.50	
⑦	O-Ring	170600	\$1.00	
⑧	Standard Shrub Head Base	106900	\$3.50	
Options				
⑨	Check Valve Spring	235000	\$1.00	
⑩	Filter Screen/Check Valve Sub Assembly	142300	\$1.00	
⑪	Check Valve Seal	101400	\$0.35	
⑫	Retainer Clip	204900	\$0.15	
⑬	Shrub Head Base	Check Valve Model	234900	\$4.00



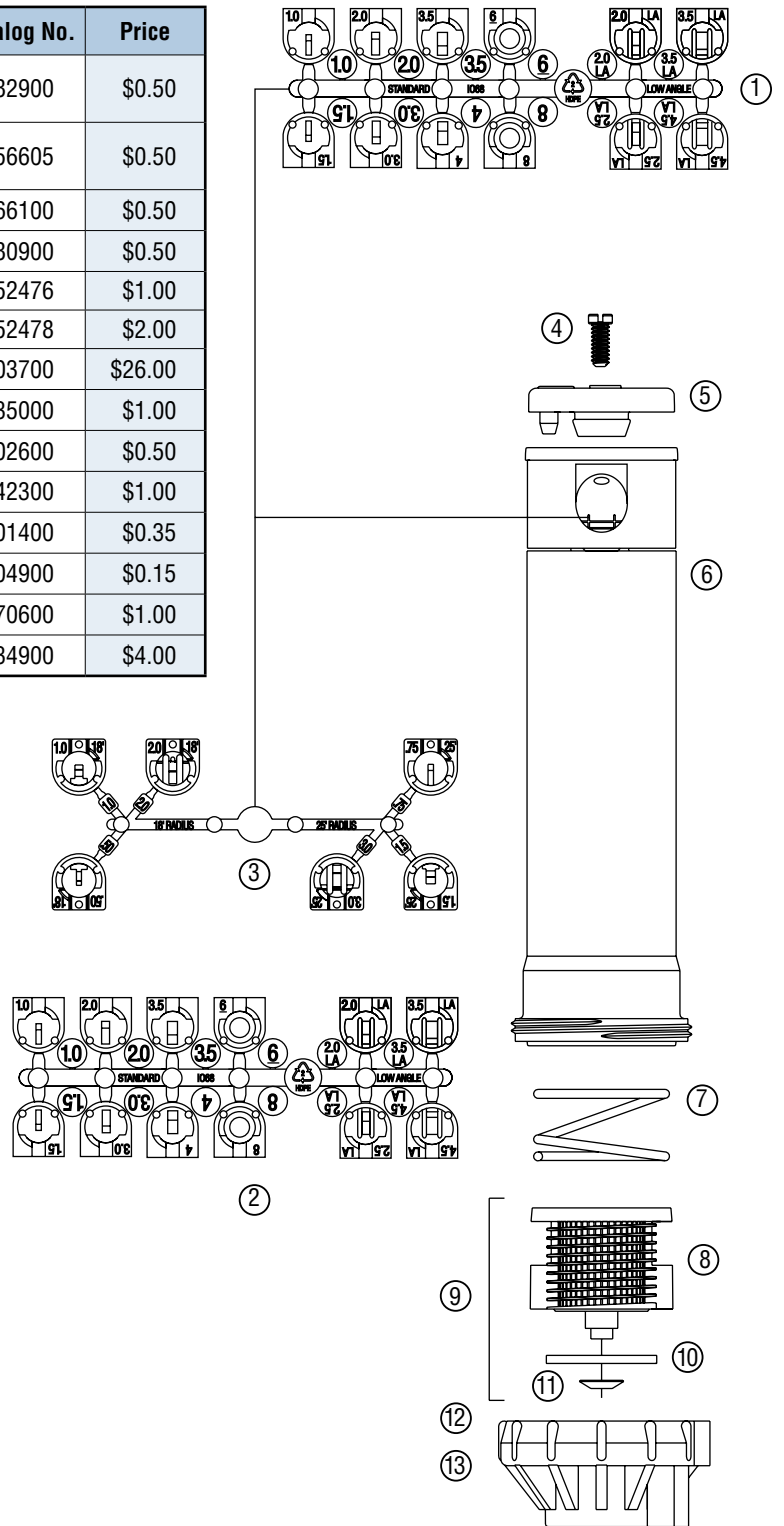
PGP-04 Ultra, PGP-12 CV Ultra: Gear-Driven Sprinklers

Item	Description	Catalog No.	Price	
①	Standard (8) and Low Angle (4) Nozzle Set, Blue & Gray	782900	\$0.50	
②	Short Radius Nozzle Set (6), Black	466100	\$0.50	
③	Nozzle Retainer Screw - Headed w/ Slot	180900	\$0.50	
④	Rubber Cover Assembly	Black	183600	\$1.00
		Purple	183605	\$2.00
⑤	Riser Assembly	PGP-04	183700	\$22.00
		PGP-12-CV	184000	\$42.00
⑥	Filter Screen	Standard Model	102600	\$0.50
⑦	Check Valve Screen Assembly		142300	\$1.00
⑧	Body Cap		103700	\$3.75
⑨	Slip Washer	PGP-12-CV-Only	296100	\$0.25
⑩	Riser Seal		181500	\$1.00
⑪	Spring Seat		189900	\$0.35
⑫	Retraction Spring	PGP-04	104000	\$4.00
		PGP-04-CV	150600	\$6.00
		PGP-12-CV	179500	\$14.00
⑬	Pop-up Body	PGP-04	100200	\$6.00
		PGP-12-CV	179100	\$16.00
⑭	Check Valve Seal Only		101400	\$0.35
⑮	Retainer Clip		204900	\$0.15
⑯	Seal Replacement Kit (Includes Parts ⑩ & ⑪)	253400	\$1.00	



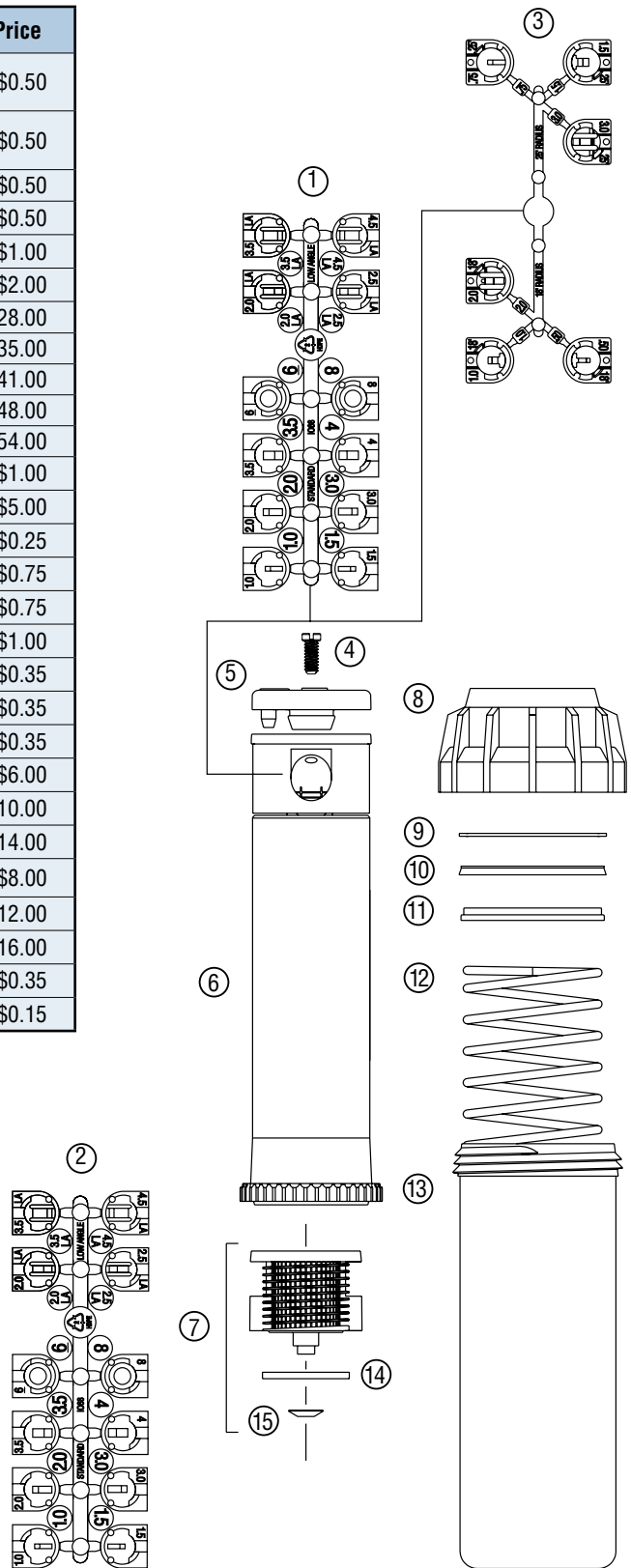
I-20-00: Gear-Driven Sprinklers

Item	Description	Catalog No.	Price	
①	Standard (8) and Low Angle (4) Nozzle Set, Blue & Gray	782900	\$0.50	
②	Standard (8) and Low Angle (4) Nozzle Set, NAVY Blue & Gray	356605	\$0.50	
③	Short Radius Nozzle Set (6), Black	466100	\$0.50	
④	Nozzle Retainer Screw	180900	\$0.50	
⑤	Rubber Cover Assembly	Black	352476	\$1.00
		Purple	352478	\$2.00
⑥	Riser Assembly	203700	\$26.00	
⑦	Check Valve Spring	235000	\$1.00	
⑧	Filter Screen	Standard Model	102600	\$0.50
⑨	Check Valve Screen Assembly	142300	\$1.00	
⑩	Check Valve Seal Only	101400	\$0.35	
⑪	Retainer Clip	204900	\$0.15	
⑫	O-Ring	170600	\$1.00	
⑬	Shrub Head Base	Check Valve Model	234900	\$4.00



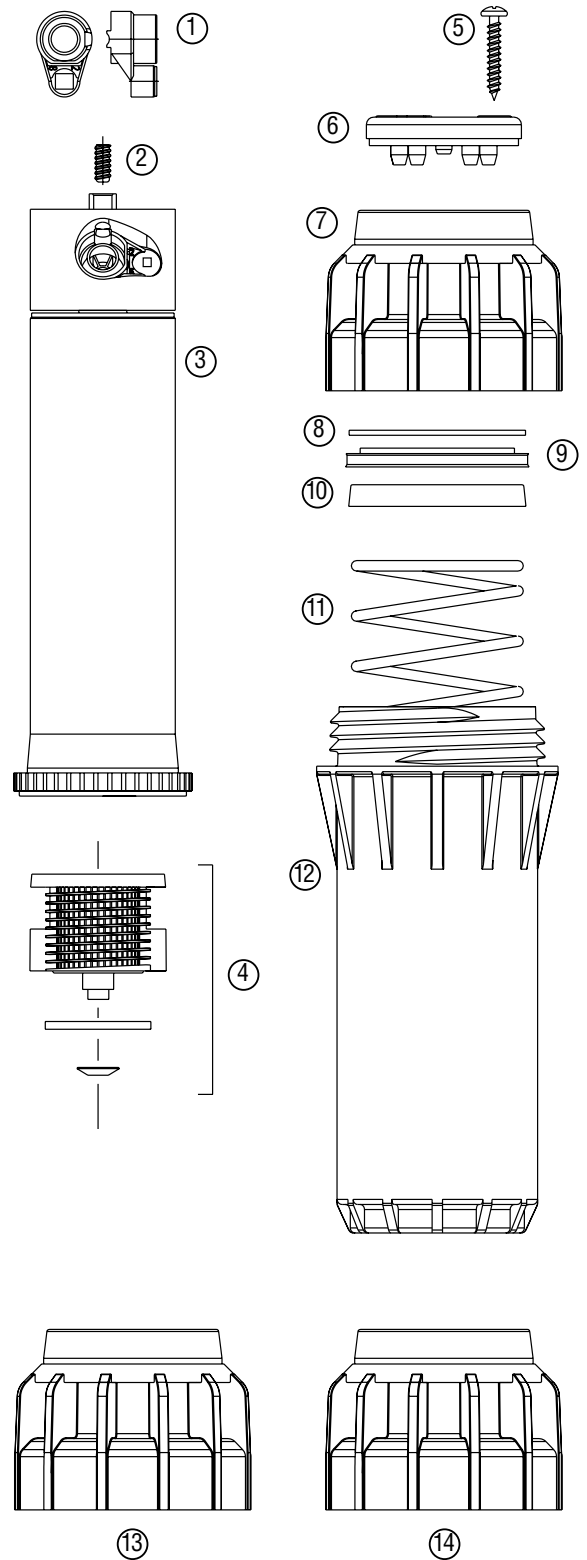
I-20-04, I-20-06, I-20-12: Gear-Driven Sprinklers

Item	Description	Catalog No.	Price	
①	Standard (8) and Low Angle (4) Nozzle Set, Blue & Gray	782900	\$0.50	
②	Standard (8) and Low Angle (4) Nozzle Set, NAVY Blue & Gray	356605	\$0.50	
③	Short Radius Nozzle Set (6), Black	466100	\$0.50	
④	Nozzle Retainer Screw	180900	\$0.50	
⑤	Rubber Cover Assembly	Black	352476	\$1.00
		Purple	352478	\$2.00
⑥	Riser Assembly	I-20-04	192500	\$28.00
		I-20-04-SS	192700	\$35.00
		I-20-06	192900	\$41.00
		I-20-06-SS	193000	\$48.00
		I-20-12	203800	\$54.00
⑦	Filter Screen with Check Valve Assembly	142300	\$1.00	
⑧	Body Cap	356000	\$5.00	
⑨	Slip Washer	I-20-12-Only	296100	\$0.25
⑩	Riser Seal	I-20-04	252500	\$0.75
		I-20-06	252500	\$0.75
		I-20-12	181500	\$1.00
⑪	Spring Seat	I-20-04	227800	\$0.35
		I-20-06	227800	\$0.35
		I-20-12	189900	\$0.35
⑫	Retraction Spring	I-20-04, I-20-04-SS	150600	\$6.00
		I-20-06, I-20-06-SS	460300	\$10.00
		I-20-12	179500	\$14.00
⑬	Pop-up Body	I-20-04, I-20-04-SS	229200	\$8.00
		I-20-06, I-20-06-SS	434700	\$12.00
		I-20-12	404200	\$16.00
⑭	Check Valve Seal Only	101400	\$0.35	
⑮	Retainer Clip	204900	\$0.15	



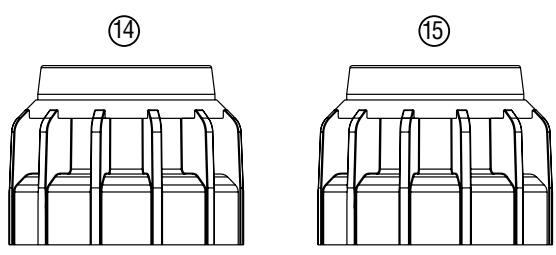
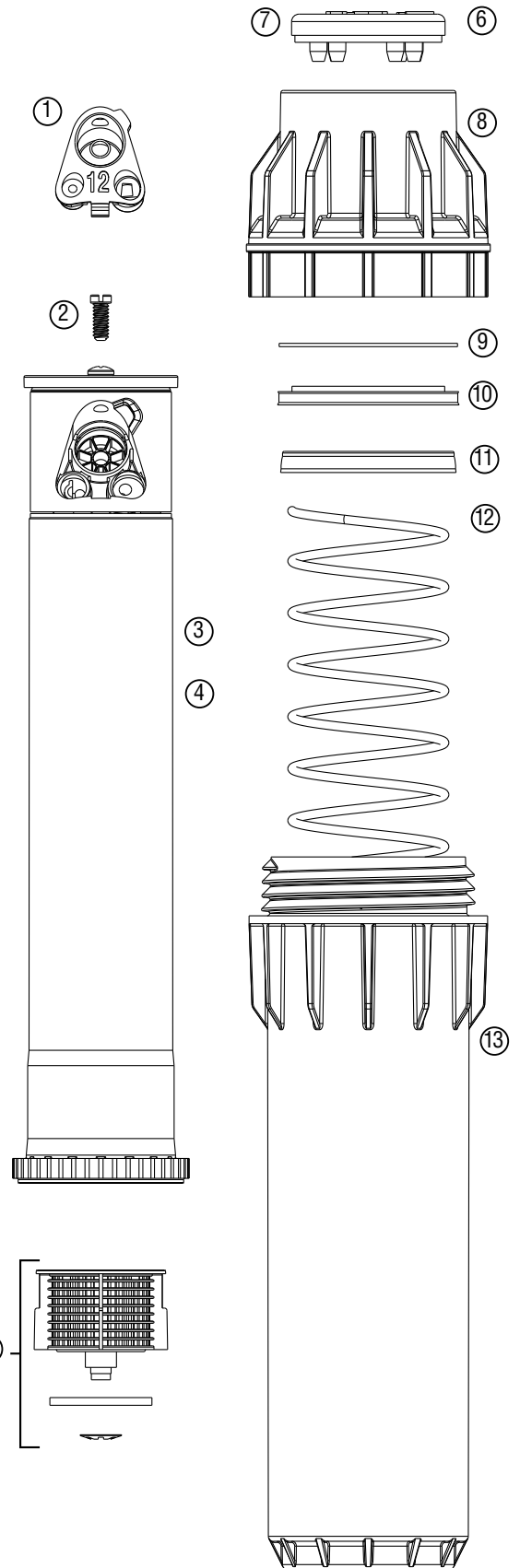
I-25-04, 06 Ultra: Gear-Driven Sprinklers

Item	Description	Catalog No.	Price	
①	Nozzle Pack (1 each 7, 10, 15, 20, 25)	460010	\$4.00	
	Nozzles (Bag of 25)	#4 – Yellow	463401	\$25.00
		#5 – White	463402	\$25.00
		#7 – Orange	463403	\$25.00
		#8 – Lt. Brown	463404	\$25.00
		#10 – Lt. Green	463405	\$25.00
		#13 – Lt. Blue	463406	\$25.00
		#15 – Gray	463407	\$25.00
		#18 – Red	463408	\$25.00
		#20 – Dk. Brown	463409	\$25.00
		#23 – Dk. Green	463410	\$25.00
		#25 – Dk. Blue	463411	\$25.00
		#28 – Black	463412	\$25.00
②	Nozzle Retainer Screw	333900	\$0.50	
③	Riser Assembly	I-25-04	181800	\$60.00
		I-25-04-SS	181900	\$77.00
		I-25-06	181300	\$74.00
		I-25-06-SS	174500	\$91.00
	Riser Assembly <i>High-Speed SS</i>	4" I-25-04-55-HS		\$155.00
	6" I-25-06-55-HS		\$155.00	
④	Filter Screen/Check Valve Assembly (White)	303700	\$1.00	
	Rubber Cover Screw (2 Required)	334000	\$0.75	
⑤ ⑥	Rubber Cover Assembly (logo base & rubber cover)	Black	344605	\$6.00
		Black SS	344635	\$6.00
		Purple	344615	\$7.00
		Purple SS	344640	\$7.00
		Brown SS	344625	\$7.00
⑦	Body Cap Assembly	341500	\$8.00	
⑧	Riser Seal Slip Washer	221800	\$0.25	
⑨	Riser Seal	221200	\$0.75	
⑩	Spring Seat	221100	\$0.35	
⑪	Retraction Spring	Standard Models (4")	300800	\$10.00
		High-Speed Models (4")	221300	\$14.00
		Standard Models (6")	615600	\$15.00
		High-Speed Models (6")	615700	\$21.00
⑫	Body	NPT (4")	336405	\$10.00
		BSP (4")	336410	\$10.00
		NPT (6")	614705	\$15.00
		BSP (6")	614710	\$15.00
⑬	I-25/I-35/I-40 Shut Off Cap	223200	\$5.00	
⑭	I-25/I-35/I-40 Blow Out Cap	345400	\$5.00	



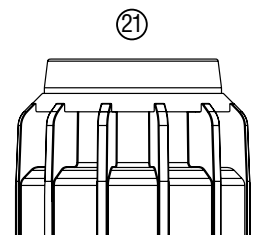
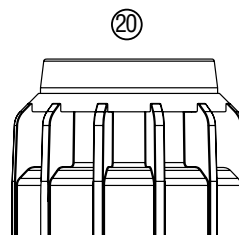
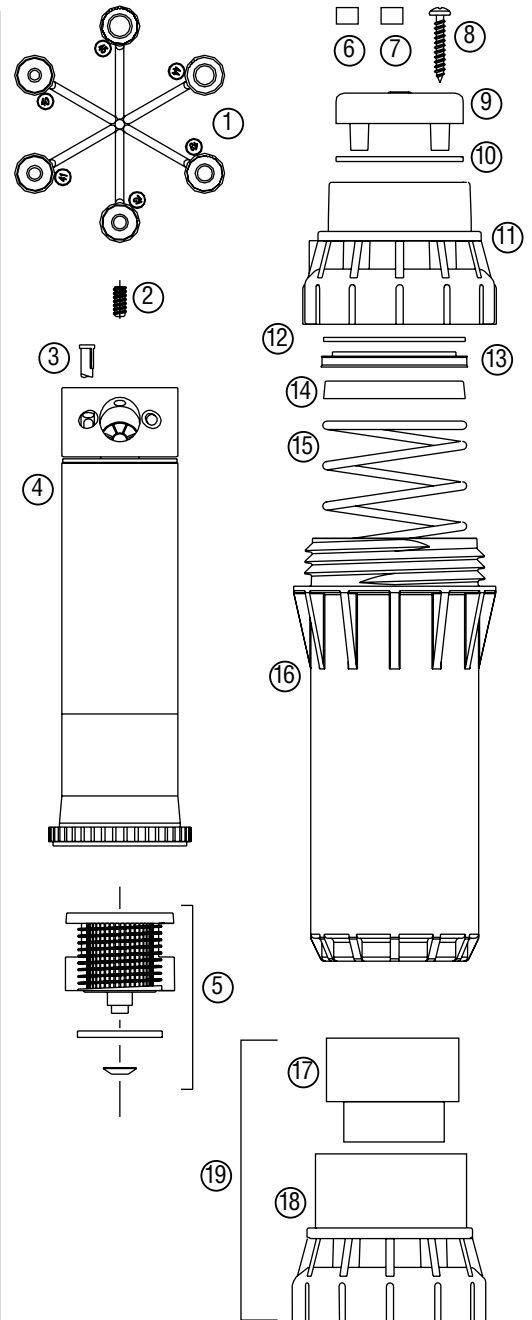
I-35 Sierra: Gear-Driven Sprinkler

Item	Description	Catalog No.	Price	
①	Nozzle Pack (1 each of 9, 12, 15, 18, 21, 24, 27, 30)	642200	\$8.00	
	Nozzles (Bag of 25)	#9 – Light Brown	616600	\$25.00
		#12 – Light Blue	782300	\$25.00
		#15 – Gray	784500	\$25.00
		#18 – Red	784900	\$25.00
		#21 – Dark Brown	785100	\$25.00
		#24 – Dark Green	785200	\$25.00
		#27 – Dark Blue	785300	\$25.00
#30 – Black	785400	\$25.00		
②	Nozzle Retainer Screw	616500	\$0.50	
③	Plastic Riser Assembly	641600	\$95.00	
④	Stainless Riser Assembly	642000	\$105.00	
	Stainless Riser Assembly (High Speed)	612300	\$155.00	
⑤	Filter Screen/Check Valve Assembly (White)	303700	\$1.00	
⑥	Rubber Cover Screw (1 required, not shown)	334000	\$0.75	
⑦	Rubber Cover Assembly	I-35 (Black)	613900	\$6.00
		I-35 SS (Black)	613905	\$6.00
		I-35 (Purple)	613910	\$7.00
		I-35 SS (Purple)	613915	\$7.00
		I-35 HS (Brown)	613920	\$7.00
⑧	Body Cap Assembly	649600	\$8.00	
⑨	Riser Seal Slip Washer	221800	\$0.25	
⑩	Riser Seal	221200	\$0.75	
⑪	Spring Seat	221100	\$0.35	
⑫	Retraction Spring	Plastic and Stainless Models	615600	\$15.00
		High-Speed Models	615700	\$21.00
⑬	Body	NPT	641305	\$15.00
		BSP	641310	\$15.00
⑭	I-25/I-35/I-40 Shut Off Cap	223200	\$5.00	
⑮	I-25/I-35/I-40 Blow Out Cap	345400	\$5.00	



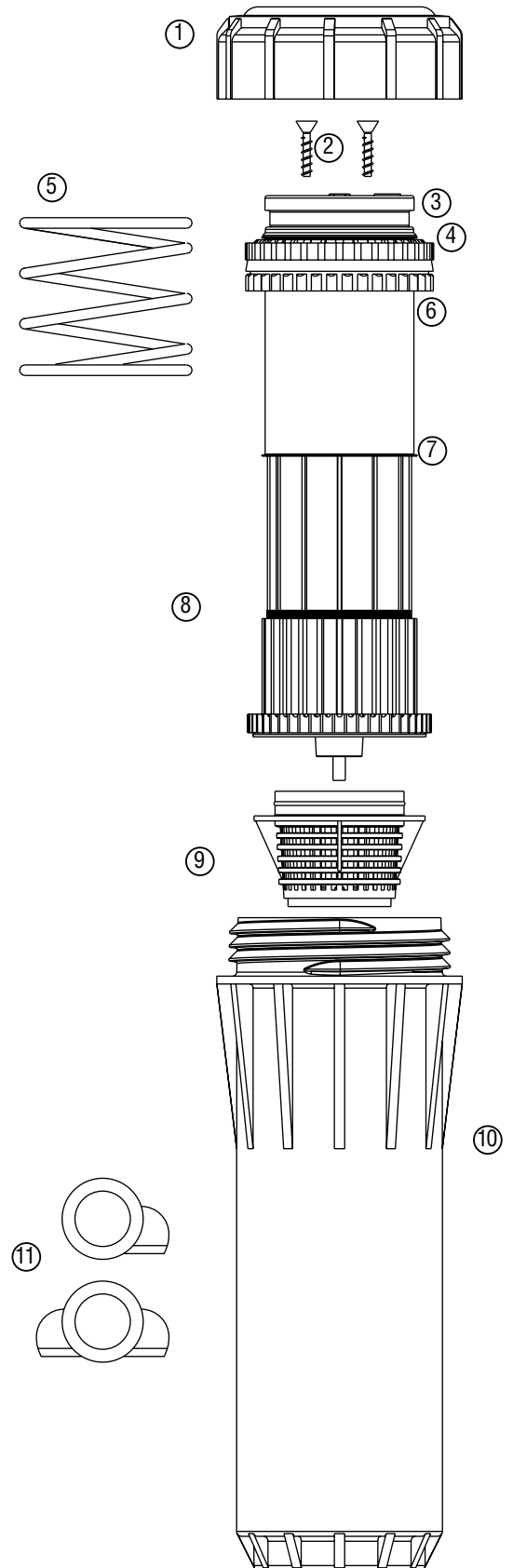
I-40-04, 06 Ultra: Gear-Driven Sprinklers

Item	Description	Catalog No.	Price	
①	Nozzle Rack (6 Black)	ADS/36S	\$2.50	
		I-40-ON	\$4.00	
②	Nozzle Retainer Screw	333900	\$0.50	
③	Diffuser Pin	245400	\$0.50	
④	Riser Assembly	I-40-04-SS	182200	\$105.00
		I-40-04-SS-HS	175700	\$155.00
		I-40-04-SS-ON	175800	\$115.00
		I-40-06-SS	175900	\$120.00
		I-40-06-SS-HS	176000	\$155.00
		I-40-06-SS-ON	176100	\$130.00
⑤	Filter Screen/Check Valve Assembly (White)	303700	\$1.00	
⑥	Model Number Button	I-40	252705	\$0.50
		Blank	252735	\$0.50
⑦	Feature Designation Button	Blank	252845	\$0.50
		HS	252855	\$0.50
		ON	252850	\$0.50
⑧	Rubber Cover Screw (2 Required)	334000	\$0.75	
⑨	Rubber Cover Assembly (Includes Part 10)	Black	345005	\$8.00
		Brown	345010	\$9.00
		Purple	345015	\$9.00
⑩	Rubber Cover Washer	253000	\$0.25	
⑪	Body Cap Assembly	221600	\$8.00	
⑫	Riser Seal Slip Washer	221800	\$0.25	
⑬	Riser Seal	221200	\$0.75	
⑭	Spring Seat	221100	\$0.35	
⑮	Retraction Spring	4"	221300	\$14.00
		6"	615700	\$21.00
⑯	Body	NPT (4")	336405	\$10.00
		BSP (4")	336410	\$10.00
		NPT (6")	614705	\$15.00
		BSP (6")	614710	\$15.00
⑰	Cup & Retainer Assembly – Turf Cup	344400	\$6.00	
⑱	Turf Cup Kit – Date Codes 9510 and After (Includes Parts 17 and 18 Plus Instructions. Does not work on ON models)	460000	\$10.00	
⑳	I-25/I-35/I-40 Shut Off Cap	223200	\$5.00	
㉑	I-25/I-35/I-40 Blow Out Cap	345400	\$5.00	



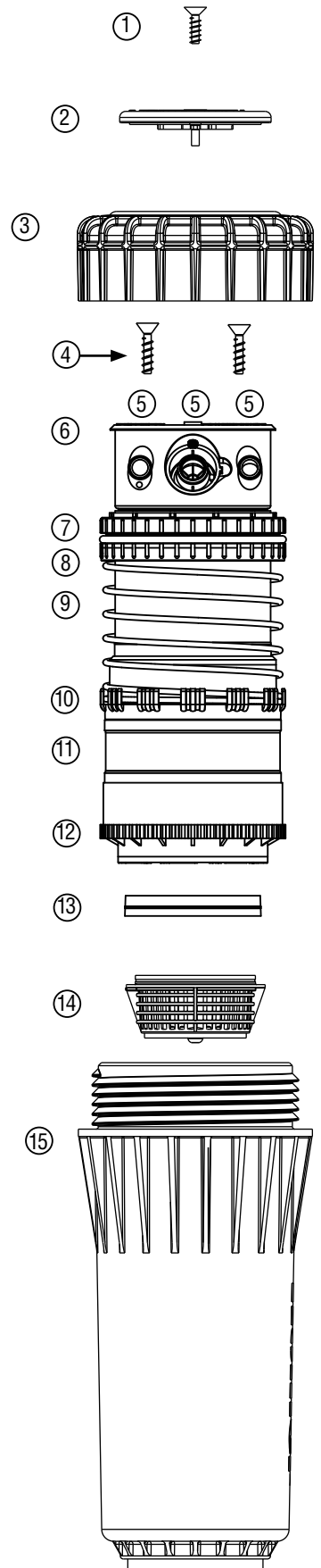
I-60: Gear-Driven Sprinklers

Item	Description	Catalog No.	Price	
①	Body Cap Assembly	431700	\$8.00	
②	Rubber Cover Screw (2 Required)	334000	\$0.75	
③	Rubber Cover Assembly	ADS (Black)	420300	\$6.00
		36S (Black)	420400	\$6.00
		ARS (Purple)	420305	\$7.00
		3RS (Purple)	420405	\$7.00
④	Diffuser Yoke	36S Only	350600	\$5.00
⑤	Spring		348700	\$16.00
⑥	Seal Assembly (Includes seal supports and stainless steel sleeve)		350100	\$13.00
⑦	Riser Assembly (Includes Parts 2, 3, 4, & 6)	ADS	432010	\$125.00
		36S	431810	\$125.00
		ARS	432110	\$130.00
		3RS	431910	\$130.00
⑧	Face Seal		557500	\$1.00
⑨	Filter Screen Assembly (with Check Valve)		422200	\$3.00
⑩	Body	NPT	420610	\$14.00
		BSP	420615	\$14.00
⑪	Nozzle Package (Includes 7, 10, 13, 15, 18, 20)	ADS	462373	\$6.50
		36S	462374	\$6.50
⑪	Nozzles (Bag of 25)	ADS #7 – Orange	472373	\$18.00
		#10 – Lt. Green	472374	\$18.00
		#13 – Lt. Blue	472375	\$18.00
		#15 – Gray	472376	\$18.00
		#18 – Red	472377	\$18.00
		#20 – Dk. Brown	472378	\$18.00
		36S #7 – Orange	463471	\$18.00
		#10 – Lt. Green	463472	\$18.00
		#13 – Lt. Blue	463473	\$18.00
		#15 – Gray	463474	\$18.00
#18 – Red	463475	\$18.00		
#20 – Dk. Brown	463476	\$18.00		

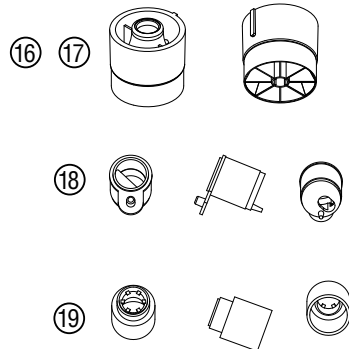


I-90: Gear-Driven Sprinkler

Item	Description	Catalog No.	Price	
①	Rubber Cover Screw (1 Required)	351800	\$0.80	
②	Rubber Cover Assembly	ADV (Black)	529000	\$8.00
		36V (Black)	528900	\$8.00
		ARV (Purple)	529005	\$9.00
		3RV (Purple)	528905	\$9.00
③	Body Cap Assembly	525000	\$18.00	
④	Retainer Cap Screws (2 Required)	334000	\$0.75	
⑤	Nozzle Retainer Screw (3 Required, not shown)	053143	\$0.80	
⑥	Retainer Cap	ADV, ARV	346800	\$5.00
		36V, 3RV	346700	\$5.00
⑦	Seal Block*	171700*	\$6.50	
⑧	O-Ring Seal*	171600*	\$3.00	
⑨	Retraction Spring*	171900*	\$16.00	
⑩	Face Seal - White*	406000*	\$2.50	
⑪	Bumper - Gray*	171805*	\$4.00	
⑫	Riser Assembly (Includes #4-10)	ADV, ARV	525500	\$180.00
		36V, 3RV	524400	\$180.00
⑬	Stator Adjustment Plate	052833	\$1.05	
⑭	Screen Assembly	525200	\$8.00	
⑮	Body	NPT	525100	\$25.00
		BSP	525105	\$25.00
⑯	Nozzle Pack (1 Each 33, 38, 43, 48, 53, 63)	461204	\$15.00	
⑰	Nozzle Pack (Bag of 25)	#33 - Gray	464363	\$25.00
		#38 - Red	464364	\$25.00
		#43 - Dk. Brown	464365	\$25.00
		#48 - Dk. Green	464366	\$25.00
		#53 - Dk. Blue	464367	\$25.00
		#63 - Black	464368	\$25.00
⑱	Short Range Nozzle (Left, Black) ADV, 36V, ARV, 3RV	439100	\$2.00	
⑲	Mid Range Nozzle	(Right, Green) ADV, ARV	439000	\$2.00
		(Right, Blue) 36V, 3RV	455400	\$2.00

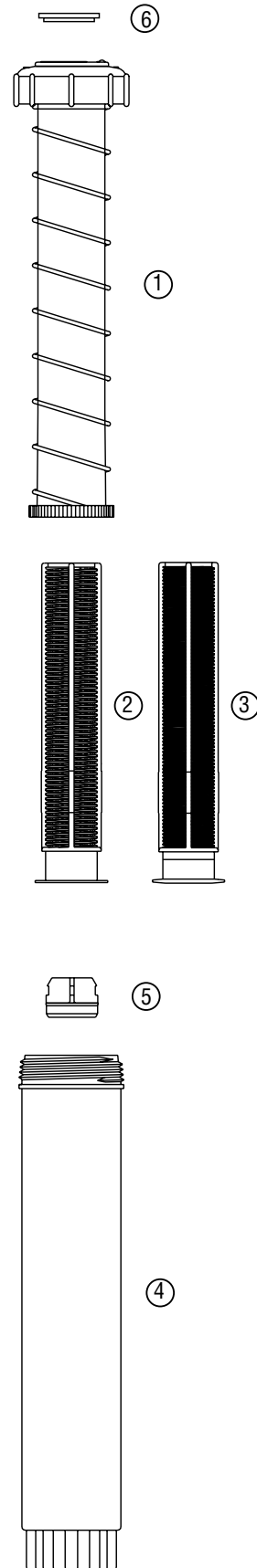


*Parts 7-11 are required for the new I-90 seal replacement kit



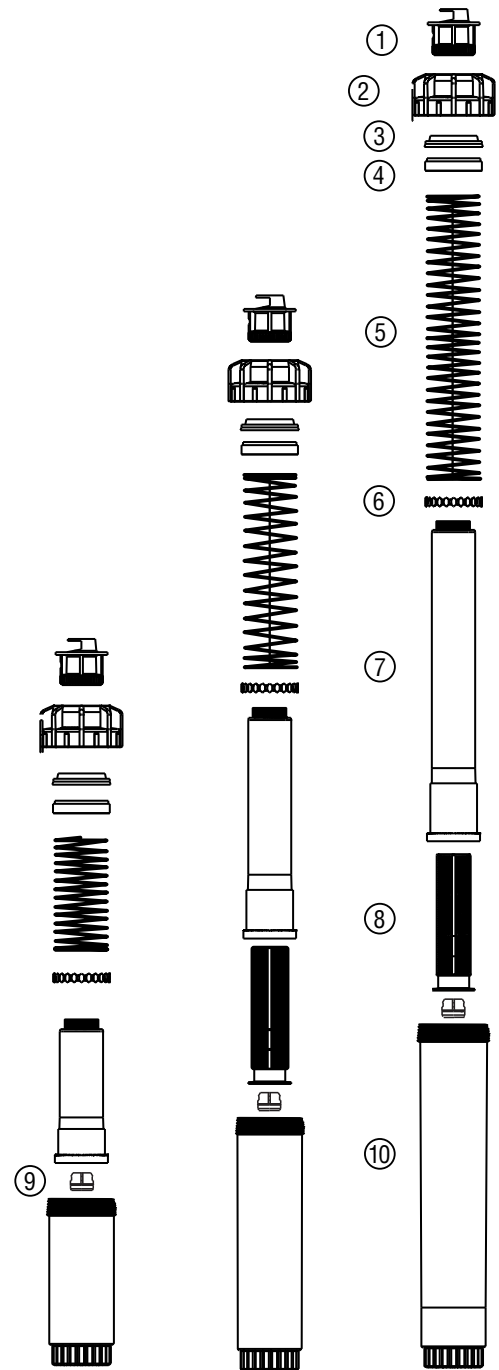
PS: Spray Sprinkler

Item	Description	Catalog No.	Price	
①	4" Riser Assembly	10' ADJ	183901	\$3.20
		12' ADJ	183801	\$3.20
		15' ADJ	181701	\$3.20
		17' ADJ	193601	\$3.20
②	4" Filter Screen <i>(Coarse/Black)</i>	184400	\$0.55	
	<i>Standard on 17-ft. Only</i>			
③	4" Filter Screen <i>(Fine/White)</i> Standard on 10', 12', 15'	182600	\$0.55	
④	4" Pop-up Body	192000	\$2.15	
Options				
⑤	Check Valve Assembly <i>(Bag of 25)</i>	461843	\$20.05	
⑥	ID Ring	10' – Red	370700	\$0.20
		12' – Green	370705	\$0.20
		15' – Black	370710	\$0.20
		17' – White	370715	\$0.20
	ID Ring <i>(Bag of 100)</i>	Purple Reclaimed	461844	\$27.00



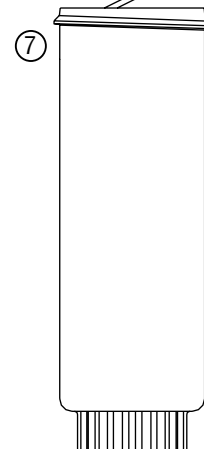
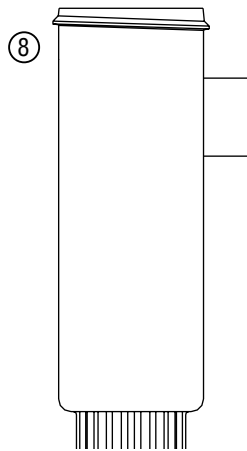
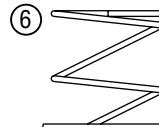
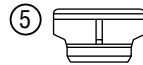
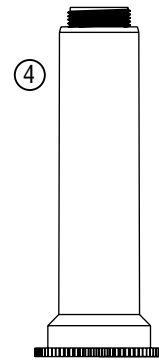
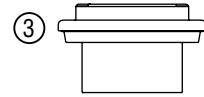
PSU-02, 04, 06: PS Ultra Spray Sprinklers

Item	Description	Catalog No.	Price	
①	Flush Cap (<i>White</i>)	162800	\$0.50	
②	Body Cap Standard (Black)	162600	\$1.00	
③	Riser Seal	192300	\$1.00	
④	Spring Seat	181100	\$1.00	
⑤	Spring	2"	180200	\$1.00
		4"	192100	\$1.50
		6"	162400	\$3.00
⑥	Ratchet Ring	162700	\$0.50	
⑦	Riser	2"	162300	\$1.50
		4"	162500	\$2.50
		6"	162100	\$3.50
⑧	Filter Screen (4" and 6" models only)	162900	\$0.55	
⑨	Check Valve Assembly (<i>Bag of 25</i>)	462237	\$20.50	
⑩	Body	2" Pop-up Body	179900	\$2.00
		4" Pop-up Body	192000	\$2.75
		6" Pop-up Body	163200	\$3.75



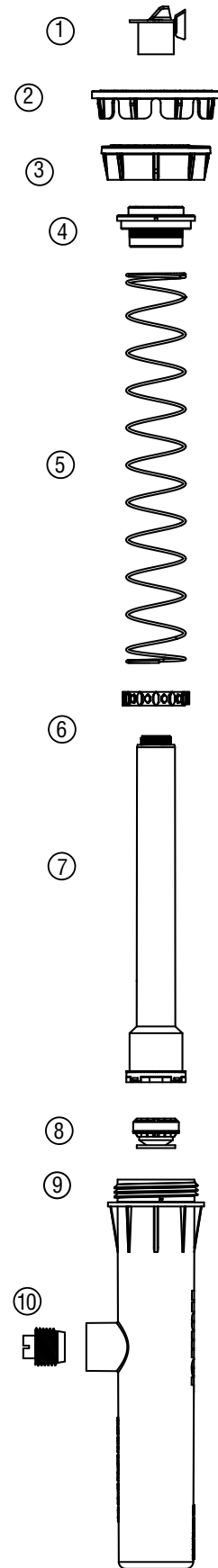
SRS-02, 03, 04, 06 & 12: Spray Sprinklers

Item	Description	Catalog No.	Price	
①	Reclaimed Water Identifier	349800	\$1.10	
②	Body Cap	334600	\$1.05	
③	Riser Seal	334700	\$0.80	
④	Riser	2"	343700	\$1.05
		3"	343900	\$1.35
		4"	334900	\$1.60
		6"	341300	\$2.50
		12"	341400	\$3.50
⑤	Check Valve (<i>Bag of 25</i>)	462810	\$20.05	
⑥	Retraction Spring	2"	344100	\$1.05
		3"	344200	\$1.05
		4"	335100	\$1.05
		6"	335700	\$3.00
		12"	335800	\$5.00
⑦	Body (<i>2", 3" & 4" Models</i>)	2"	343800	\$2.15
		3"	344000	\$2.15
		4"	335000	\$2.15
⑧	Body w/o Side Inlet	6"	335305	\$3.75
		12"	335300	\$4.00
⑧	Body w/ Side Inlet (<i>6" & 12" Models</i>)	6"	335305	\$4.00
		12"	335500	\$6.00



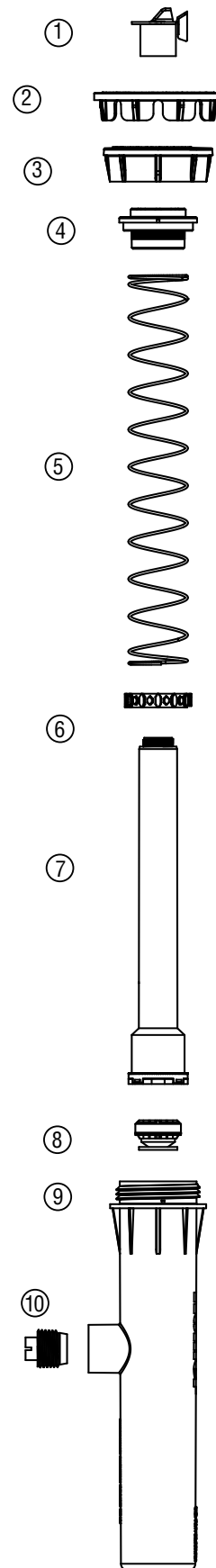
PROS-02, 03, 04, 06, 12: Pro-Spray Sprinklers

Item	Description	Catalog No.	Price
①	Flush Cap (Gray)	423900	\$0.50
②	Snap-On Reclaimed Cap	Purple PROSRCCAP	\$1.05
③	Body Cap	Standard (Black)	458500 \$1.00
		With Check Valve ID (Black)	458505 \$1.05
		Reclaimed Body Cap (Purple)	458520 \$3.75
		Reclaimed w/ Check Valve ID (Purple)	458525 \$3.75
④	Riser Seal	472300	\$1.00
⑤	Spring	2"	630900 \$1.00
		3"	631000 \$1.00
		4"	459500 \$1.00
		6"	460400 \$6.50
		12"	460500 \$8.50
⑥	Ratchet Ring	629300	\$0.50
⑦	Riser	2"	630300 \$1.50
		3"	630400 \$1.50
		4"	424100 \$1.60
		6"	458700 \$3.50
		12"	458900 \$5.50
⑧	Check Valve Assembly	437400	\$1.00
⑨	Body	2" w/o Side Inlet	630500 \$2.00
		3" w/o Side Inlet	630600 \$2.00
		4" w/o Side Inlet	424000 \$2.50
		6" w/ Side Inlet	458800 \$5.50
		12" w/ Side Inlet	459000 \$8.50
⑩	Side Plug (6" and 12" models only)	460600	\$0.50



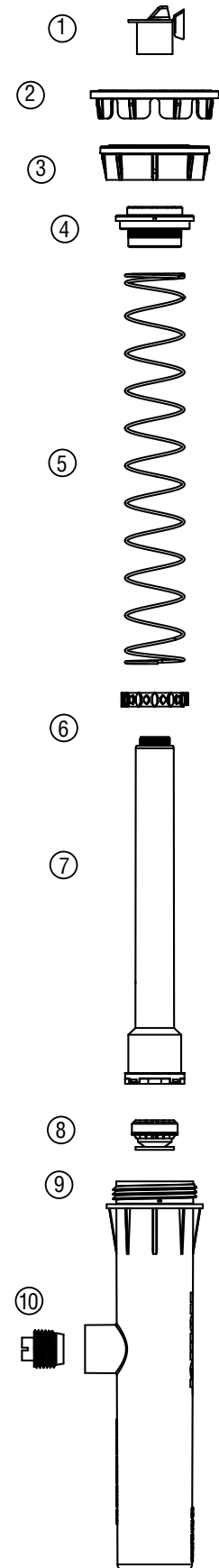
INST-04, 06, 12: Institutional Spray Sprinklers

Item	Description	Catalog No.	Price	
①	Flush Cap (<i>Blue</i>)	423905	\$0.50	
②	Snap-On Reclaimed Cap	PROSRCCAP	\$1.05	
③	Body Cap	Standard (Black)	458510	\$1.00
		With Check Valve ID (Black)	458515	\$1.05
		Reclaimed Body Cap (Purple)	458530	\$3.75
		Reclaimed w/ Check Valve ID (Purple)	458535	\$3.75
④	Riser Seal	472300	\$1.00	
⑤	Spring	4"	459600	\$1.00
		6"	460400	\$6.50
		12"	460500	\$8.50
⑥	Ratchet Ring	629300	\$0.50	
⑦	Riser	4"	437505	\$1.60
		6"	459105	\$3.50
		12"	462205	\$5.50
⑧	Check Valve Assembly	437400	\$1.00	
⑨	Body	4" w/o Side Inlet	424000	\$2.50
		6" w/ Side Inlet	458800	\$5.50
		12" w/ Side Inlet	459000	\$8.50
⑩	Side Plug (6" and 12" models only)	460600	\$0.50	



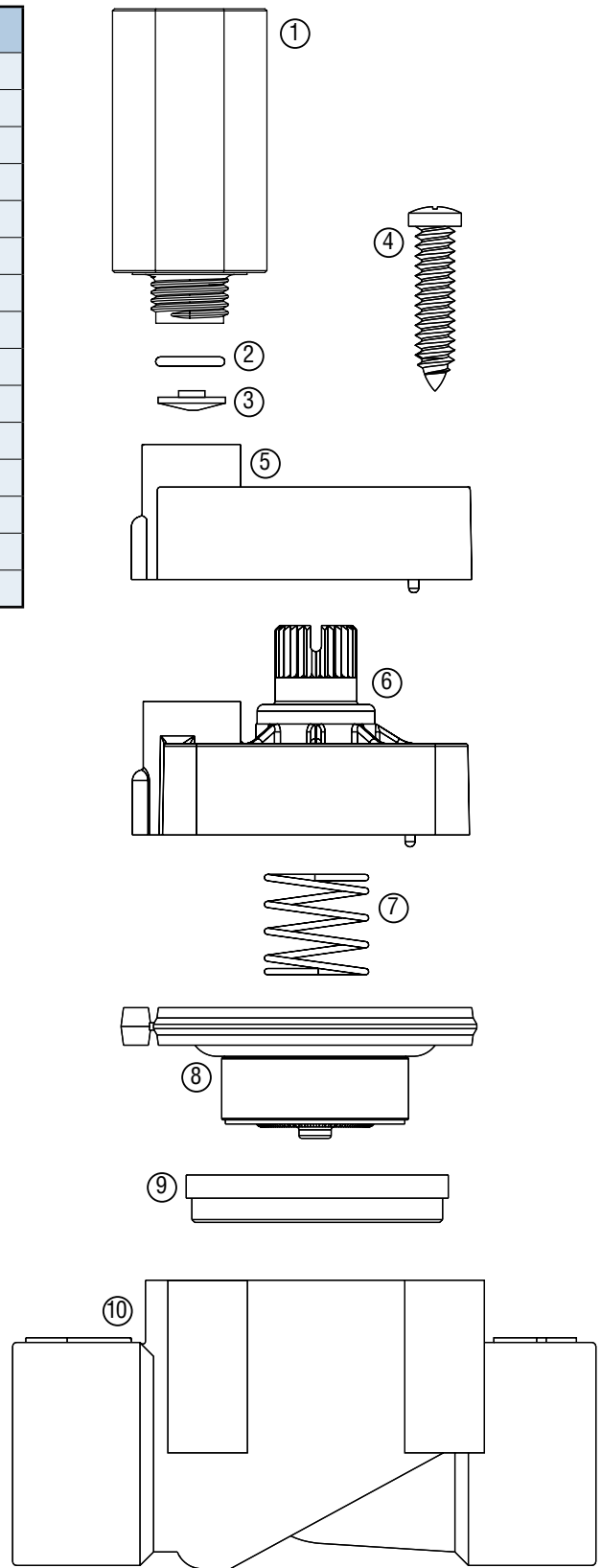
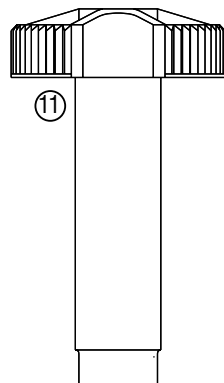
MPR40-04 CV, 06 CV & 12 CV: MP Rotator Sprinkler Body

Item	Description	Catalog No.	Price	
①	Flush Cap (<i>Blue</i>)	423905	\$0.50	
②	Snap-On Reclaimed Cap	Purple PROSCRAP	\$1.00	
③	Body Cap	Standard (Gray)	458541	\$1.00
		Reclaimed w/ Check Valve ID (Purple)	458545	\$3.75
④	Riser Seal	472300	\$1.00	
⑤	Spring	4"	459600	\$1.00
		6"	460400	\$6.50
		12"	460500	\$8.50
⑥	Ratchet Ring	629300	\$0.50	
⑦	Riser	4"	437520	\$1.60
		6"	459120	\$3.50
		12"	462220	\$5.50
⑧	Check Valve Assembly	437400	\$1.00	
⑨	Body	4" w/o Side Inlet	424000	\$2.50
		6" w/ Side Inlet	458800	\$5.50
		12" w/ Side Inlet	459000	\$8.50
⑩	Side Plug (6" and 12" models only)	460600	\$0.50	



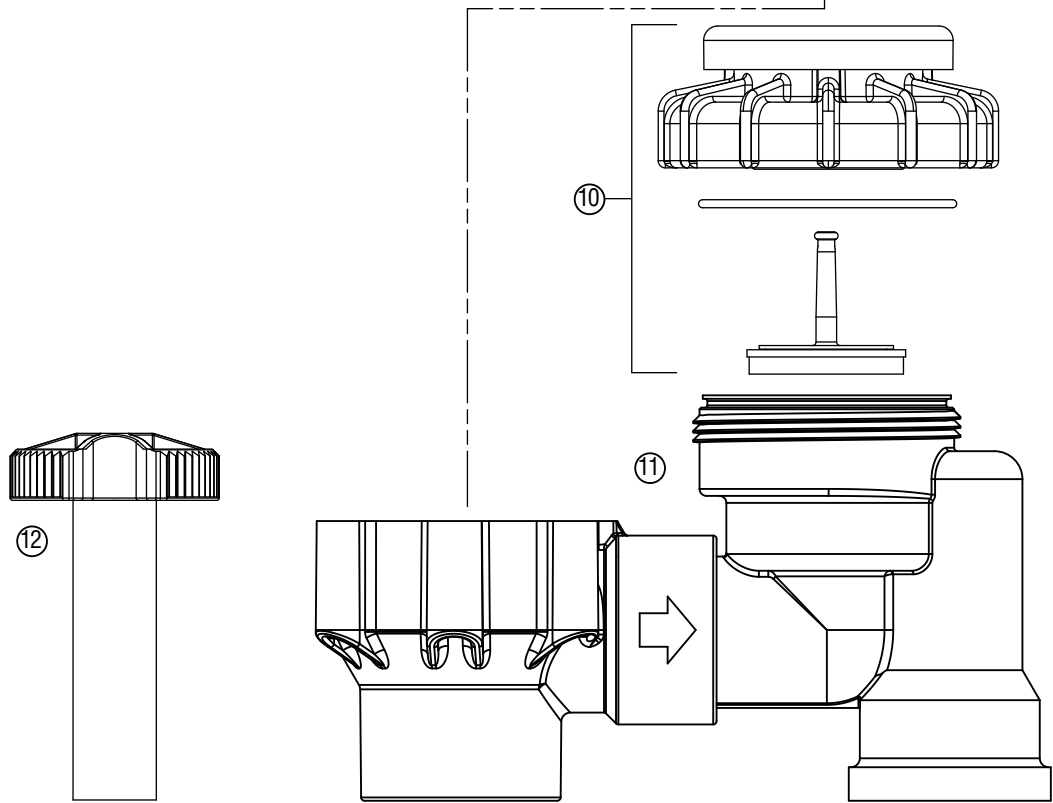
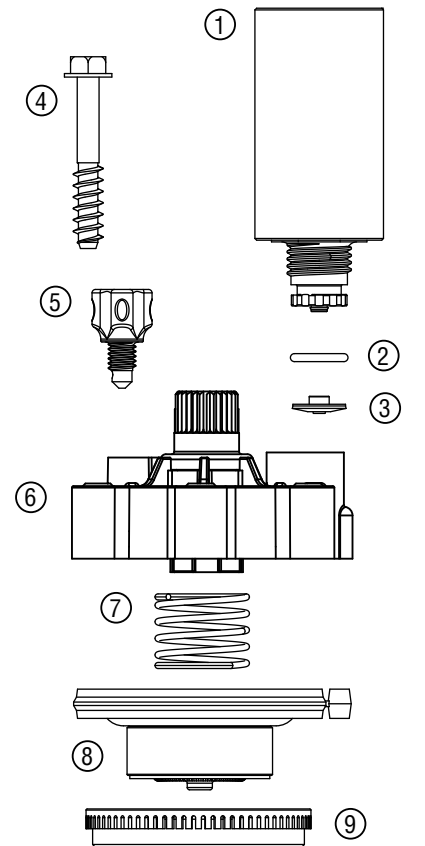
SRV: Plastic Valve

Item	Description		Catalog No.	Price
①	Solenoid Assembly <i>(Includes Parts 2 & 3)</i>	AC Solenoid	606800	\$13.00
		DC Solenoid	458200	\$43.00
②	O-Ring		262600	\$1.00
③	Solenoid Seal		364400	\$1.00
④	Bonnet Screw		331700	\$1.00
⑤	Bonnet without Flow Control		331100	\$6.00
⑥	Bonnet with Flow Control		379400	\$10.00
⑦	Diaphragm Spring		266000	\$1.50
⑧	Diaphragm Assembly		332100	\$12.00
⑨	Diaphragm Support Ring		331300	\$1.00
⑩	Body	NPT Thread	331005	\$15.00
		BSP Thread	331010	\$15.00
		Slip	331015	\$12.00
⑪	Flow Control Handle	Black	269200	\$2.00
		Purple	269205	\$2.00



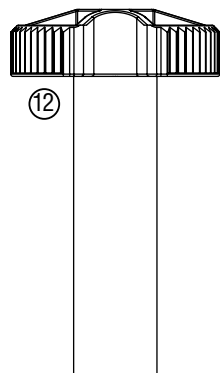
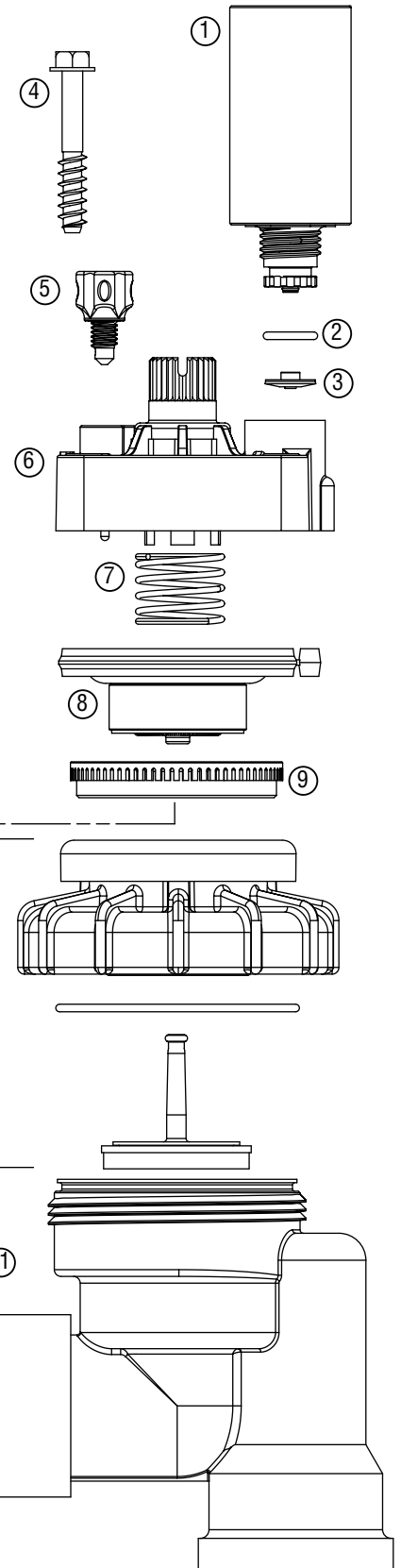
PGV-ASV: Plastic Valve (6-Bolt Bonnet Design)

Item	Description	Catalog No.	Price	
①	Solenoid Assembly <i>(Includes Parts 2 & 3)</i>	AC Solenoid	606800	\$13.00
		DC Solenoid	458200	\$43.00
②	O-Ring	262600	\$1.00	
③	Solenoid Seal	364400	\$1.00	
④	Bonnet Screw	427300	\$1.50	
⑤	Bleed Screw	546700	\$1.00	
⑥	Bonnet with Flow Control & Bleed Screw	187100	\$16.00	
⑦	Diaphragm Spring	266000	\$1.50	
⑧	Diaphragm Assembly	332100	\$12.00	
⑨	Diaphragm Support Ring	331300	\$1.00	
⑩	AVB/ASV Repair Kit	¾"	590307	\$5.50
		1"	590306	\$6.00
⑪	Body	¾" NPT	154210	\$18.00
		¾" Slip	154215	\$15.00
		1" NPT	154200	\$20.00
		1" Slip	154205	\$17.00
⑫	Flow Control Handle	Black	269200	\$2.00
		Purple	269205	\$2.00



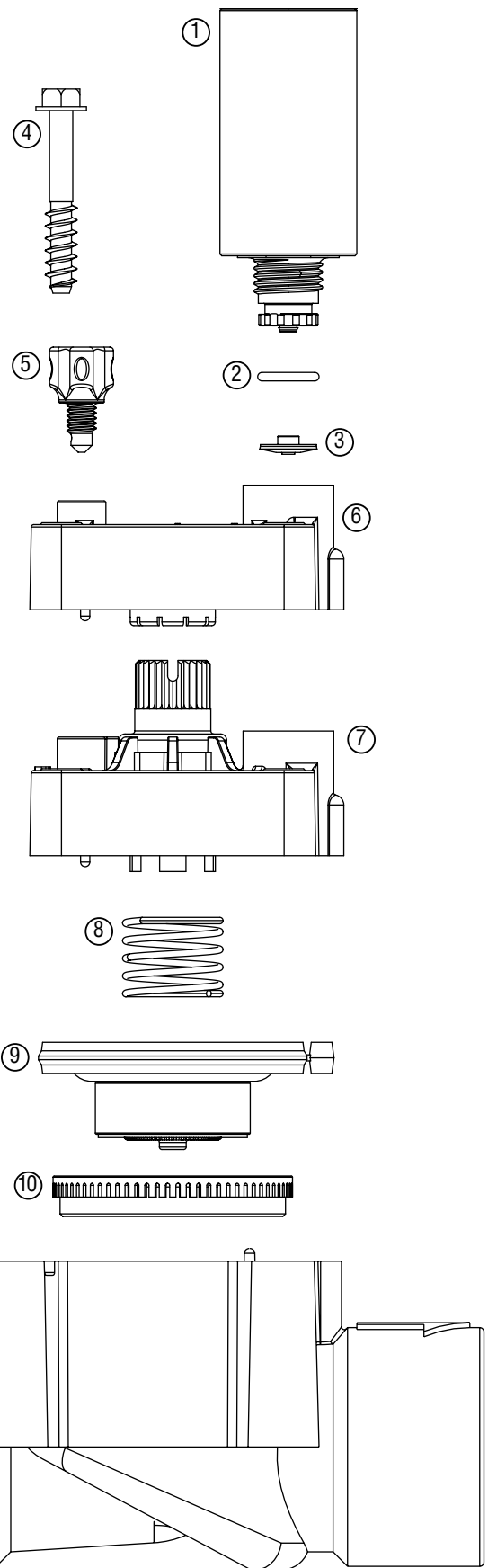
PRO-ASV: Plastic Valve

Item	Description		Catalog No.	Price
①	Solenoid Assembly <i>(Includes Parts 2 & 3)</i>	AC Solenoid	606800	\$13.00
		DC Solenoid	458200	\$43.00
②	O-Ring		262600	\$1.00
③	Solenoid Seal		364400	\$1.00
④	Bonnet Screw		427300	\$1.50
⑤	Bleed Screw		546700	\$1.00
⑥	Bonnet with Flow Control & Bleed Screw		556000	\$16.00
⑦	Diaphragm Spring		266000	\$1.50
⑧	Diaphragm Assembly		332100	\$12.00
⑨	Diaphragm Support Ring		331300	\$1.00
⑩	AVB/ASV Repair Kit	3/4"	590307	\$5.50
		1"	590306	\$6.00
⑪	Body	3/4" NPT	438100	\$18.00
		3/4" Slip	438105	\$15.00
		1" NPT	437700	\$20.00
		1" Slip	437705	\$17.00
⑫	Flow Control Handle	Black	269200	\$2.00
		Purple	269205	\$2.00



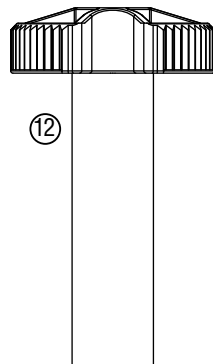
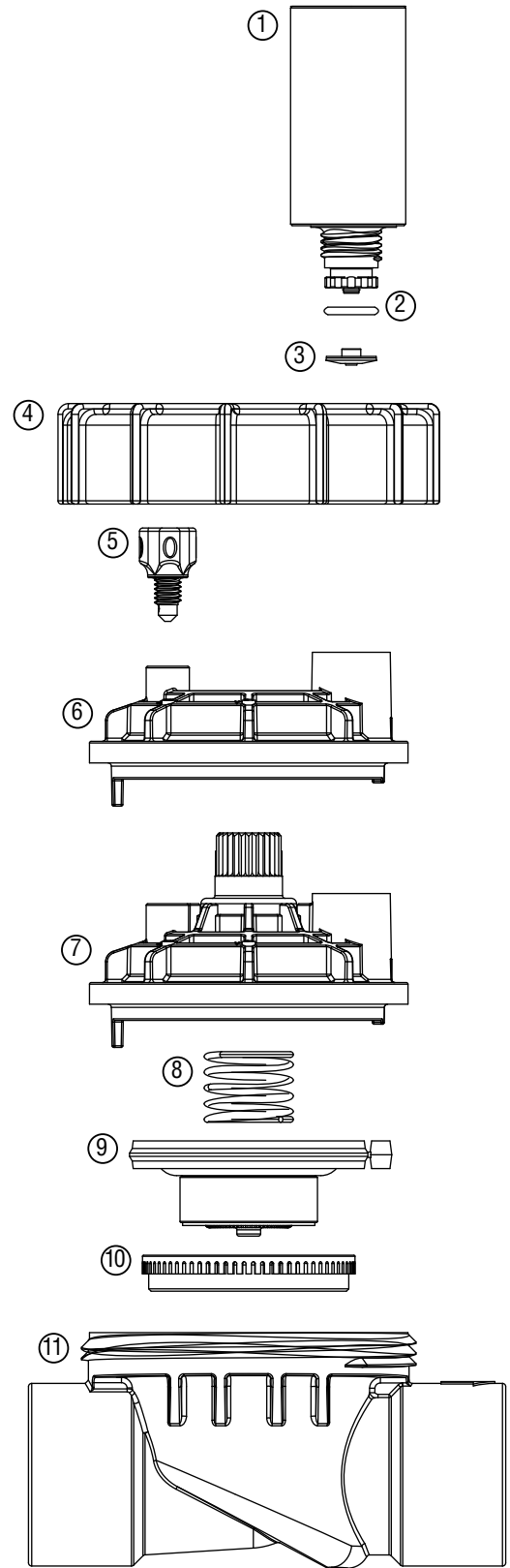
PGV-100G/101G: Plastic Valves

Item	Description	Catalog No.	Price	
①	Solenoid Assembly <i>(Includes Parts 2 & 3)</i>	AC Solenoid	606800	\$13.00
		DC Solenoid	458200	\$43.00
②	O-Ring	262600	\$1.00	
③	Solenoid Seal	364400	\$1.00	
④	Bonnet Screw	427300	\$1.50	
⑤	Bleed Screw	546700	\$1.00	
⑥	Bonnet without Flow Control with Bleed Screw	556100	\$12.00	
⑦	Bonnet with Flow Control & Bleed Screw	556000	\$16.00	
⑧	Diaphragm Spring	266000	\$1.50	
⑨	Diaphragm Assembly	332100	\$12.00	
⑩	Diaphragm Support Ring	331300	\$1.00	
⑪	Body	Female, NPT Thread	457700	\$14.00
		Female, BSP Thread	457705	\$14.00
		Female, Slip x Slip	457710	\$12.00
		Male x Male, NPT	433400	\$14.00
		Male x Male, BSP	433405	\$14.00
		Male x Barb, NPT	460700	\$14.00
		Male x Barb, BSP	460705	\$14.00
		Male x Barb, 1¼"	604800	\$14.00
⑫	Flow Control Handle	Black	269200	\$2.00
		Purple	269205	\$2.00



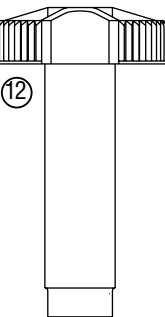
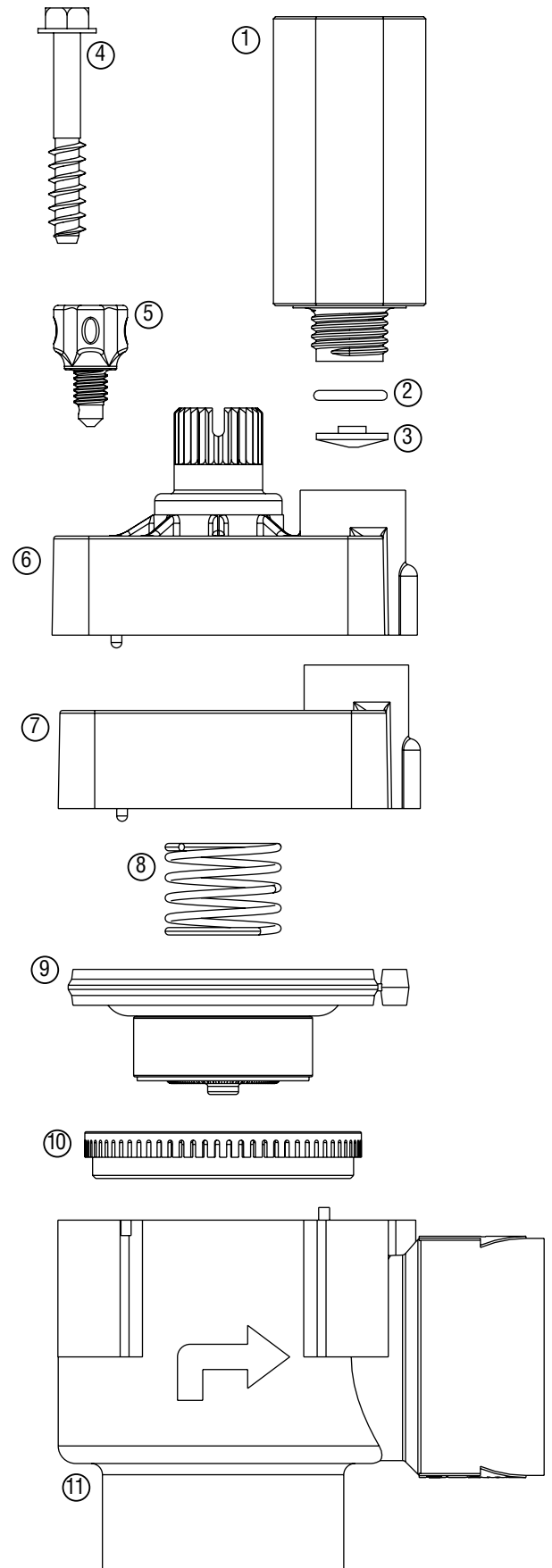
PGV Jar-Top: Plastic Valve

Item	Description	Catalog No.	Price
①	Solenoid Assembly <i>(Includes Parts 2 & 3)</i>	AC Solenoid	606800 \$13.00
		DC Solenoid	458200 \$43.00
②	O-Ring	262600	\$1.00
③	Solenoid Seal	364400	\$1.00
④	Bonnet Ring	476100	\$5.00
⑤	Bleed Screw	546700	\$1.00
⑥	Bonnet Assembly <i>(No Flow Control)</i>	476700	\$12.00
⑦	Bonnet Assembly <i>(With Flow Control)</i>	476800	\$16.00
⑧	Diaphragm Spring	266000	\$1.50
⑨	Diaphragm Assembly	332100	\$12.00
⑩	Diaphragm Support Ring	331300	\$1.00
⑪	Body	Female NPT	476300 \$15.00
		Female Slip x Female Slip	476310 \$15.00
		MPT x MPT	476600 \$15.00
		Male x 3/4" Poly Barb	612200 \$20.00
		Male x 1" Poly Barb	476200 \$20.00
		Male x 1 1/4" Poly Barb	477300 \$20.00
		Female, BSP	476305 \$15.00
		Male x Male, BSP	476605 \$15.00
⑫	Flow Control Handle	Black	269200 \$2.00
		Purple	269205 \$2.00



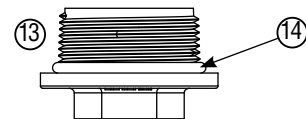
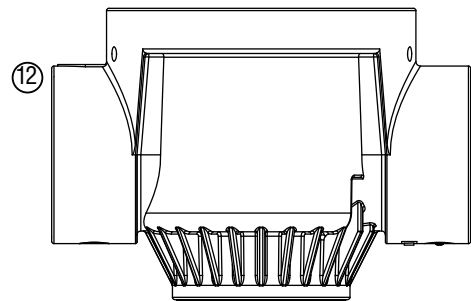
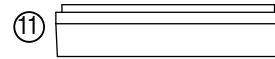
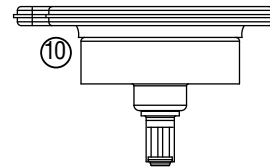
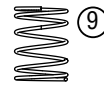
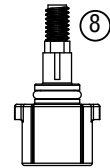
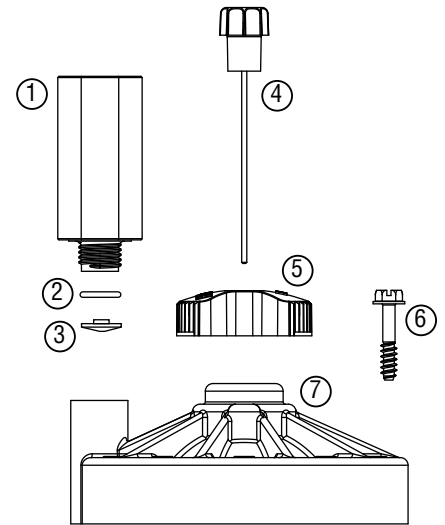
PGV-100A/I01A: Plastic Valves

Item	Description	Catalog No.	Price	
①	Solenoid Assembly <i>(Includes Parts 2 & 3)</i>	AC Solenoid	606800	\$13.00
		DC Solenoid	458200	\$43.00
②	O-Ring	262600	\$1.00	
③	Solenoid Seal	364400	\$1.00	
④	Bonnet Screw	427300	\$1.50	
⑤	Bleed Screw	546700	\$1.00	
⑥	Bonnet with Flow Control & Bleed Screw	556000	\$16.00	
⑦	Bonnet without Flow Control w/ Bleed Screw	556100	\$12.00	
⑧	Diaphragm Spring	266000	\$1.50	
⑨	Diaphragm Assembly	332100	\$12.00	
⑩	Diaphragm Support Ring	331300	\$1.00	
⑪	Body	407000	\$20.00	
⑫	Flow Control Handle	Black	269200	\$2.00
		Purple	269205	\$2.00



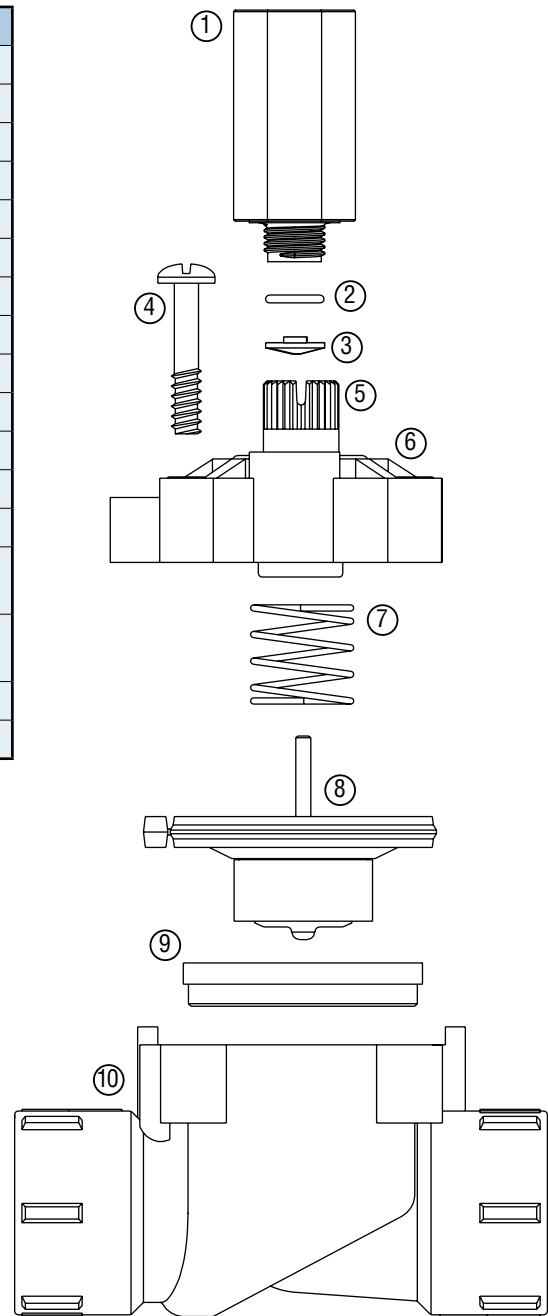
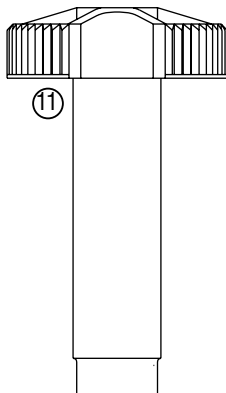
PGV-151G, 201G: Plastic Valves

Item	Description	Catalog No.	Price
①	Solenoid Assembly <i>(Includes Parts 2 & 3)</i>	AC Solenoid	606800 \$13.00
		DC Solenoid	458200 \$43.00
②	O-Ring	262600	\$1.00
③	Solenoid Seal	364400	\$1.00
④	Bleed Screw Assembly	561500	\$6.00
⑤	Flow Control Handle	Black	607100 \$2.00
		Purple	607105 \$2.00
	Flow Control Handle <i>old style (w/o bleed assembly)</i>	Black	412700 \$2.00
		Purple	412705 \$2.00
⑥	Bonnet Screw	472800	\$1.50
⑦	Bonnet	1½"	414000 \$20.00
		2"	415500 \$25.00
⑧	Flow Control Stem	1½"	421500 \$10.00
		2"	414600 \$15.00
⑨	Spring	1½"	412300 \$2.00
		2"	414200 \$2.50
⑩	Diaphragm Assembly	1½"	414100 \$20.00
		2"	415600 \$28.00
⑪	Diaphragm Support	1½"	413100 \$2.00
		2"	414800 \$4.00
⑫	Body	1½" NPT	433200 \$45.00
		1½" BSP	433205 \$45.00
		2" NPT	433300 \$60.00
		2" BSP	433305 \$60.00
⑬	Body Plug without O-Ring	1½" NPT	413800 \$8.00
		1½" BSP	413805 \$8.00
		2" NPT	415300 \$12.00
		2" BSP	415305 \$12.00
⑭	Plug O-Ring	1½"	413900 \$1.00
		2"	415400 \$2.00



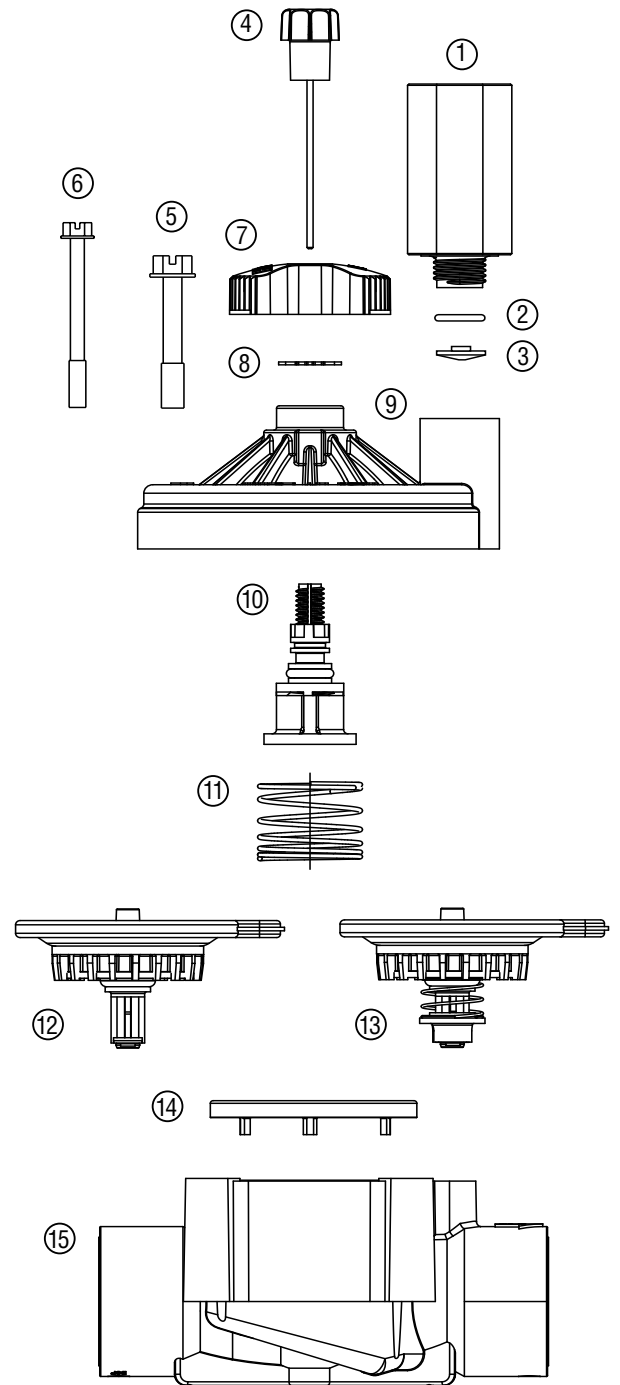
HPV: Plastic Valve

Item	Description	Catalog No.	Price	
①	Solenoid Assembly <i>(Includes Parts 2 & 3)</i>	AC Solenoid	606800	\$13.00
		DC Solenoid	458200	\$43.00
②	O-Ring	262600	\$1.00	
③	Solenoid Seal	364400	\$1.00	
④	Bonnet Screw	266100	\$1.50	
⑤	Bonnet with Flow Control	266702	\$16.00	
⑥	Bonnet without Flow Control	266602	\$12.00	
⑦	Diaphragm Spring	266000	\$1.50	
⑧	Diaphragm Assembly	266902	\$16.00	
⑨	Diaphragm Support Ring	265000	\$1.00	
⑩	Body	Globe, NPT Thread	296605	\$12.00
		Globe, BSP Thread	296610	\$12.00
		Globe, Slip	296615	\$9.00
		Angle, NPT Thread <i>(Not Shown)</i>	339600	\$18.00
		Angle, BSP Thread <i>(Not Shown)</i>	339605	\$18.00
⑪	Flow Control Handle	Black	269200	\$2.00
		Purple	269205	\$2.00



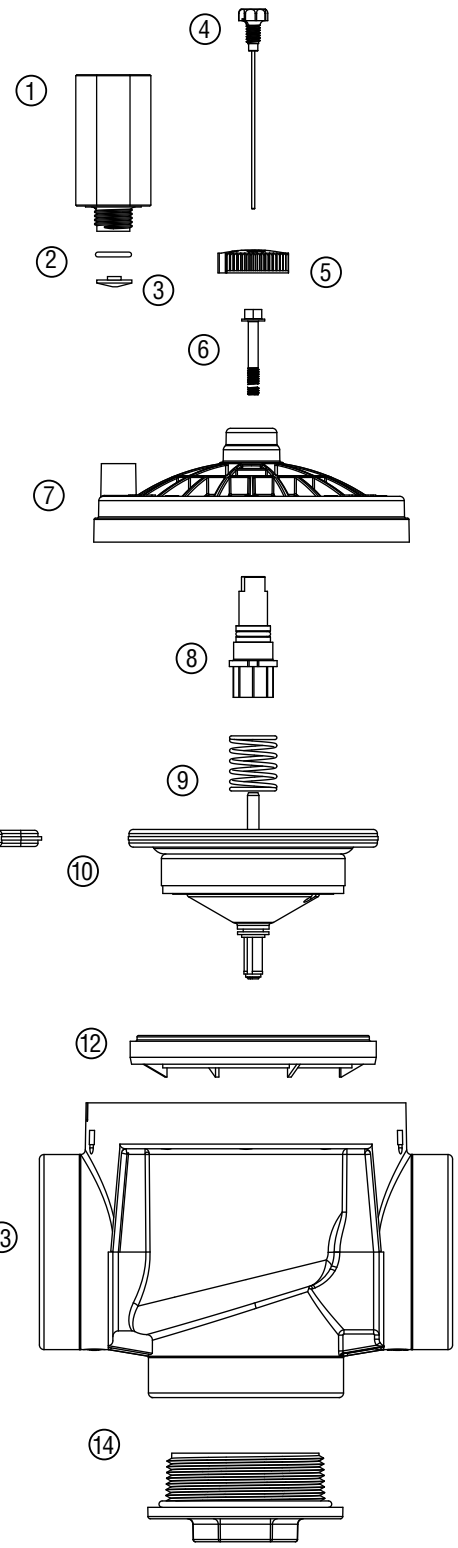
ICV-101G, 151G & 201G: Plastic Valves

Item	Description	Catalog No.	Price	
①	Solenoid Assembly <i>(Includes Parts 2 & 3)</i>	AC Solenoid	606800	\$13.00
		DC Solenoid	458200	\$43.00
②	O-Ring	262600	\$1.00	
③	Solenoid Seal	364400	\$1.00	
④	Bleed Assembly <i>(1", 1½", 2" Models)</i>	1"	561400	\$6.00
		1½" & 2"	561500	\$6.00
⑤	Bonnet Bolt <i>(1" Model)</i>	386900	\$2.50	
⑥	Bonnet Bolt <i>(1½" & 2" Models)</i>	366700	\$2.50	
⑦	Flow Control Handle	Black	561200	\$2.50
		Purple	561205	\$2.50
⑧	Flow Control Handle <i>(Previous style)</i>	Black	385900	\$2.50
		Purple	385905	\$2.50
⑧	E-Clip Retainer	1"	387200	\$1.00
		1½" & 2"	371600	\$1.00
⑨	Bonnet Assembly	1"	387700	\$16.00
		1½" & 2"	380600	\$32.00
⑩	Flow Control Stem	1"	387900	\$10.00
		1½" & 2"	560800	\$15.00
⑪	Spring	1"	386700	\$1.50
		1½" & 2"	365400	\$4.00
⑫	Diaphragm Assembly – Standard	1"	387800	\$22.00
		1½" & 2"	374500	\$30.00
⑬	Diaphragm Assembly with Filter Sentry Mechanism	1"	461503	\$40.00
		1½" & 2"	461818	\$50.00
⑭	Diaphragm Support Ring	1"	385700	\$1.00
		1½" & 2"	365900	\$4.00
⑮	Body	1" NPT	387600	\$45.00
		1" BSP	387605	\$45.00
		1½" NPT	384800	\$75.00
		1½" BSP	374805	\$75.00
		2" NPT	374400	\$105.00
		2" BSP	365505	\$105.00
⑯	Filter Sentry/Reclaimed (Purple) Tag <i>(not shown)</i>	700392	\$2.50	



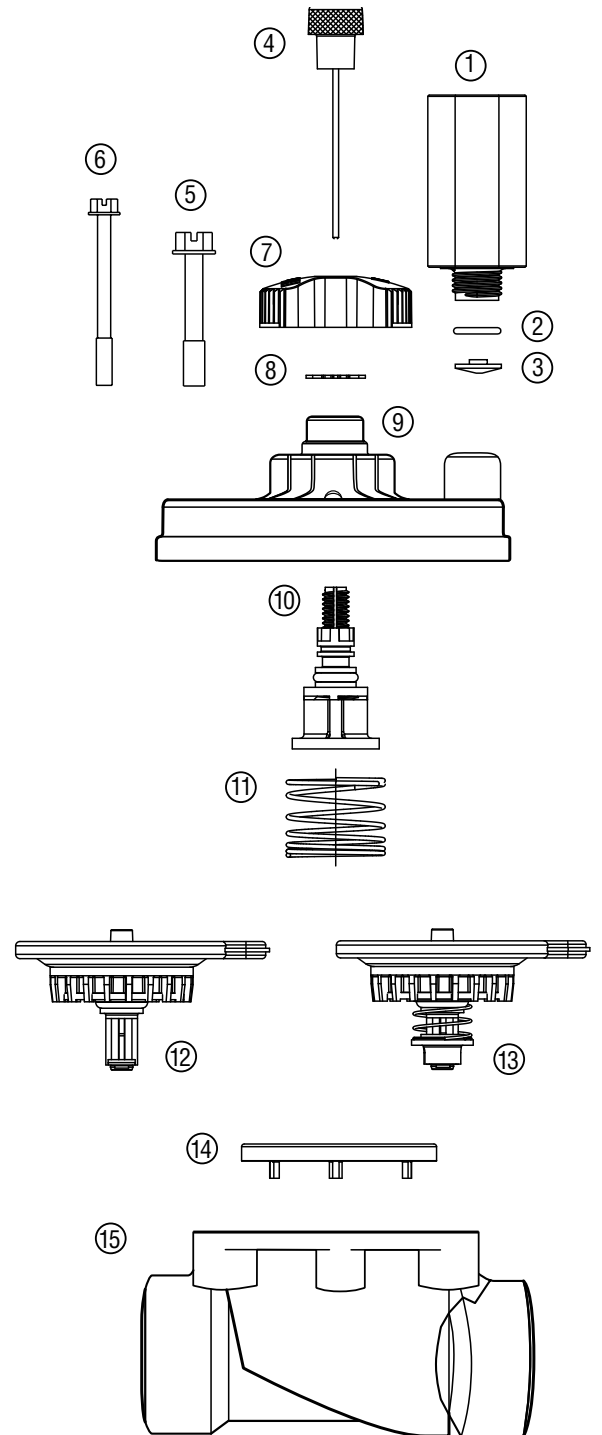
ICV-301: Plastic Valve

Item	Description	Catalog No.	Price
①	Solenoid Assembly (Includes Parts 2 & 3)	AC Solenoid	606800 \$13.00
		DC Solenoid	458200 \$43.00
②	O-Ring	262600	\$1.00
③	Solenoid Seal	364400	\$1.00
④	Bleed Assembly	518800	\$6.00
⑤	Flow Control Knob	Black	515000 \$6.00
		Purple	515005 \$6.00
⑥	Bonnet Bolt	386900	\$2.50
⑦	Bonnet Assembly	519100	\$29.00
⑧	Flow Control Stem	516100	\$45.00
⑨	Diaphragm Spring	518000	\$5.00
⑩	Diaphragm Assembly	518900	\$40.00
⑪	Filter Sentry Diaphragm Assembly	518905	\$60.00
⑫	Diaphragm Support	514600	\$6.00
⑬	Body Assembly	NPT	514400 \$145.00
		BSP	514405 \$145.00
⑭	Port Plug Assembly including O-Ring	NPT	514900 \$20.00
		BSP	514905 \$20.00



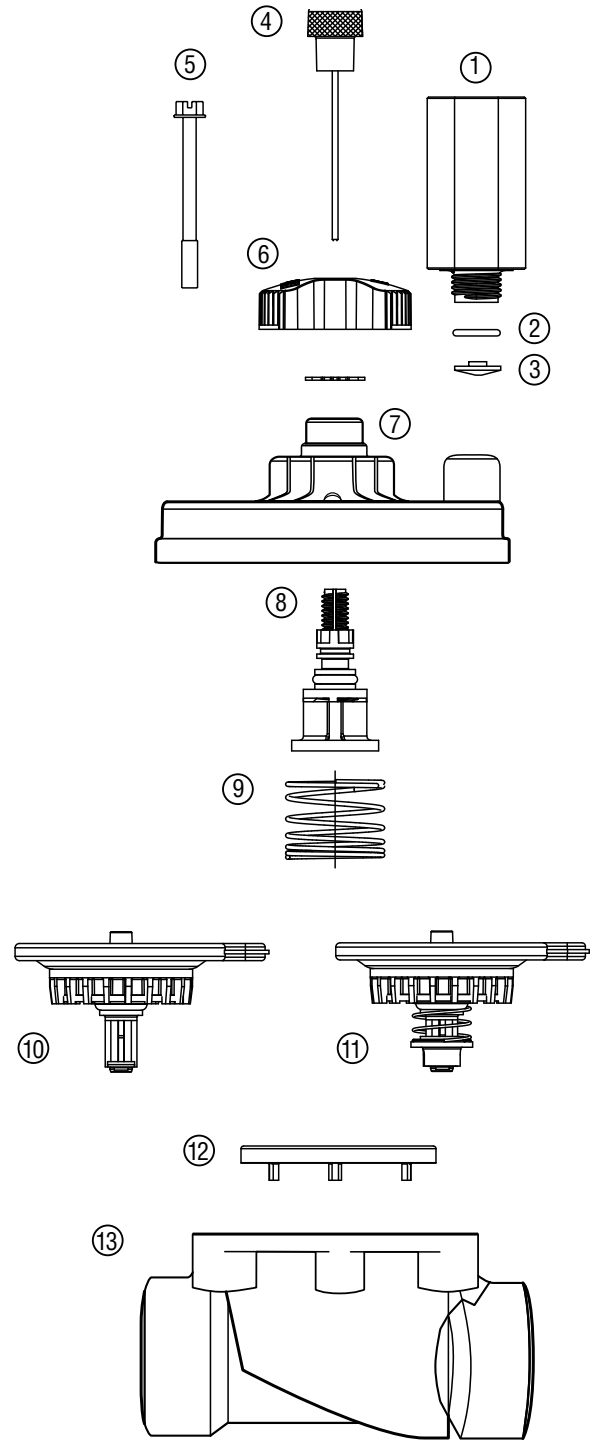
IBV-101G, 151G & 201G: Brass Valves

Item	Description	Catalog No.	Price	
①	Solenoid Assembly <i>(Includes Parts 2 & 3)</i>	AC Solenoid	606800	\$13.00
		DC Solenoid	458200	\$43.00
②	O-Ring	262600	\$1.00	
③	Solenoid Seal	364400	\$1.00	
④	Bleed Assembly <i>(1", 1½", 2" Models)</i>	1"	211100	\$6.00
		1½" & 2"	211200	\$6.00
⑤	Bonnet Bolt <i>(1" Model)</i>	669000	\$2.50	
⑥	Bonnet Bolt <i>(1½" & 2" Models)</i>	669000	\$2.50	
⑦	Flow Control Handle	Brass	211400	\$10.00
⑧	E-Clip Retainer	1"	387200	\$1.00
		1½" & 2"	371600	\$1.00
⑨	Bonnet	1"	212000	\$75.00
		1½" & 2"	212200	\$100.00
⑩	Flow Control Stem	1"	662900	\$40.00
		1½" & 2"	663000	\$50.00
⑪	Spring	1"	386700	\$1.50
		1½" & 2"	365400	\$4.00
⑫	Diaphragm Assembly - Standard	1"	387800	\$22.00
		1½" & 2"	374500	\$30.00
⑬	Diaphragm Assembly with Filter Sentry Mechanism	1"	461503	\$40.00
		1½" & 2"	461818	\$50.00
⑭	Diaphragm Support	1"	385700	\$1.00
		1½" & 2"	365900	\$4.00
⑮	Body	1" NPT	212400	\$100.00
		1" BSP	212405	\$100.00
		1½" NPT	212500	\$175.00
		1½" BSP	212505	\$175.00
		2" NPT	212600	\$200.00
		2" BSP	212605	\$200.00



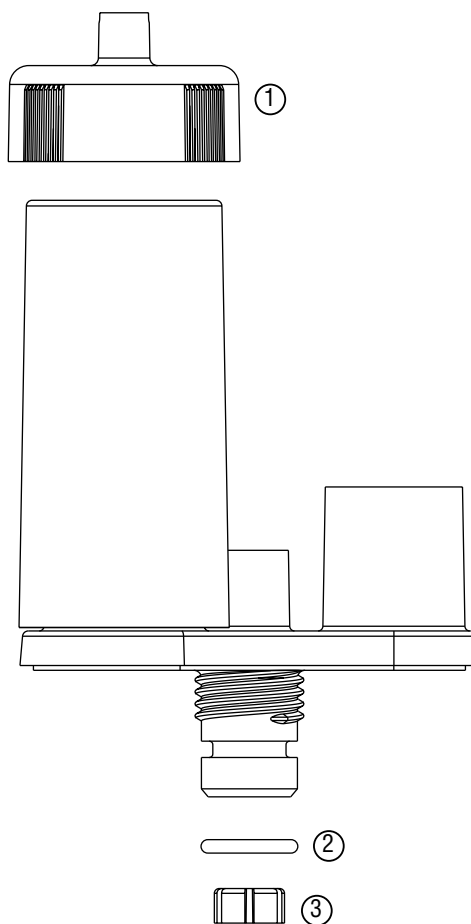
IBV-30IG: Brass Valves

Item	Description		Catalog No.	Price
①	Solenoid Assembly <i>(Includes Parts 2 & 3)</i>	AC Solenoid	606800	\$13.00
		DC Solenoid	458200	\$43.00
②	O-Ring		262600	\$1.00
③	Solenoid Seal		364400	\$1.00
④	Bleed Assembly <i>(3" Model)</i>	3"	211300	\$6.00
⑤	Bonnet Bolt <i>(3" Model)</i>		669000	\$2.50
⑥	Flow Control Handle	Brass	211400	\$2.50
⑦	Bonnet Assembly	3"	212300	\$250.00
⑧	Flow Control Stem	3"	665600	\$40.00
⑨	Spring	1"	518000	\$1.50
⑩	Diaphragm Assembly - Standard	3"	518900	\$22.00
⑪	Diaphragm Assembly with Filter Sentry Mechanism	3"	518905	\$40.00
⑫	Diaphragm Support	3"	514600	\$5.00
⑬	Body	3" NPT	212800	\$500.00
		3" BSP	212805	\$500.00

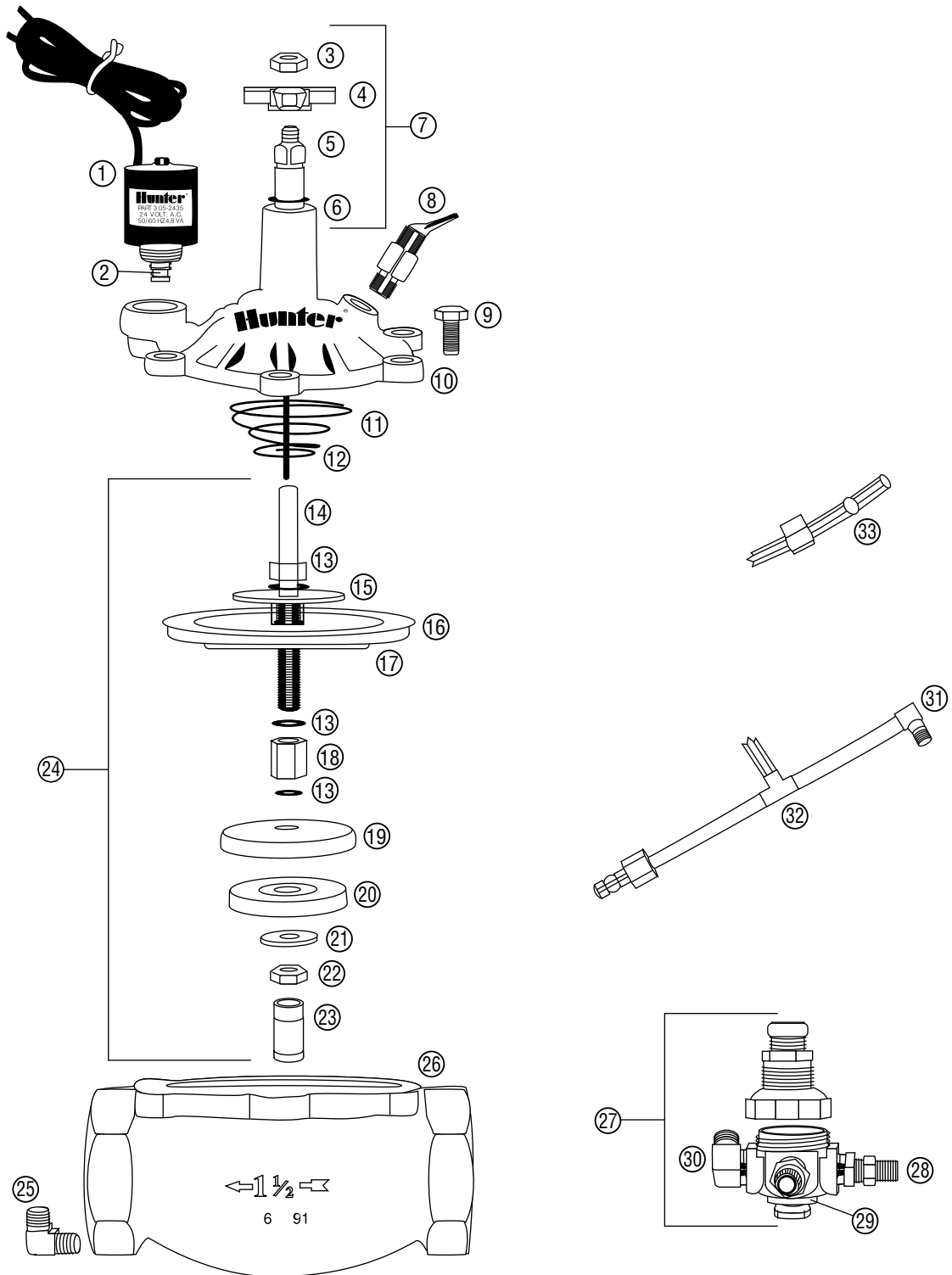


Accu-Set™: Pressure Regulator

Item	Description	Catalog No.	Price
①	Adjustment Knob	368500	\$5.00
②	O-Ring	262600	\$1.00
③	Inlet Seal	368200	\$1.00



HBV: Brass Valve

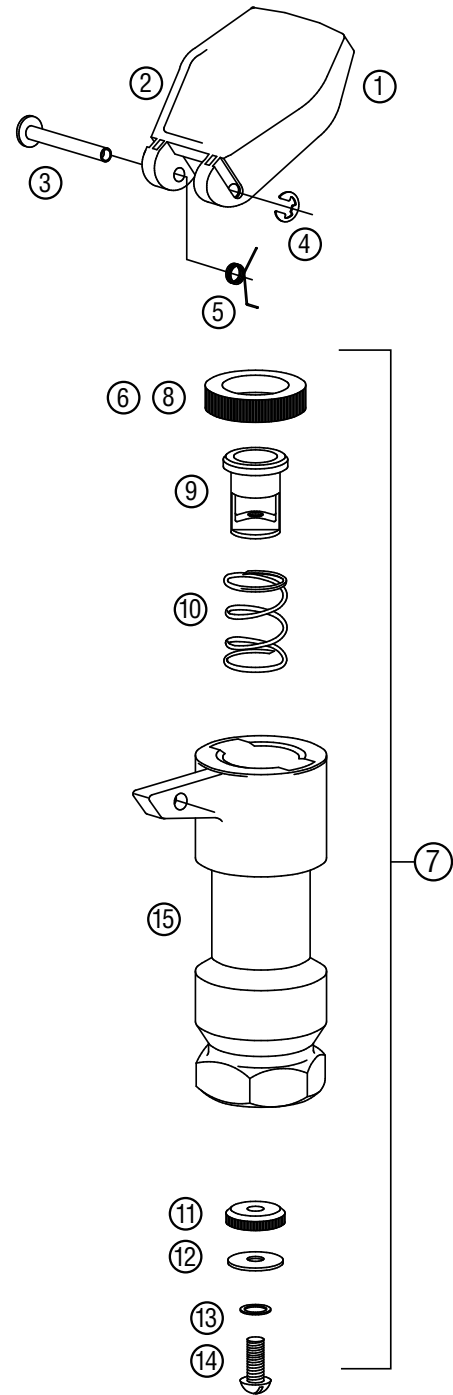


HBV: Brass Valve

Item	Description	1" Model	Price	1½" Model	Price	2" Model	Price	3" Model	Price	
①	Solenoid-2 Watt Standard	S16304	\$34.07	S16304	\$34.07	S16304	\$34.07	S16304	\$34.07	
②	Solenoid Plunger	S16010-2	\$9.00	S16010-2	\$9.00	S16010-2	\$9.00	S16010-2	\$9.00	
③	Flow Control Nut	S16001	\$0.47	S16002	\$0.74	S16002	\$0.74	S16002	\$0.74	
④	Flow Control Cross Handle	S16034	\$2.70	S16035	\$5.24	S16035	\$5.24	S16035	\$5.24	
⑤	Flow Control Stem	S16081	\$5.75	S16004	\$11.26	S16004	\$11.26	S19000	\$27.04	
⑥	Flow Control O-Ring	S16005	\$0.68	S16006	\$0.74	S16006	\$0.74	S16006	\$0.74	
⑦	Flow Control Assembly (Includes Parts 2-5 & 10)									
		S16207-L	\$8.92	S16209	\$17.24	S16209	\$17.24	S16221	\$33.03	
⑧	Manual Toggle Valve with Fitting	S16542	\$31.77	S16542	\$31.77	S16542	\$31.77	S16542	\$31.77	
⑨	Diaphragm Cap Bolt	S16042	\$0.91	S16041	\$1.12	S16041	\$1.12	S19004	\$1.35	
⑩	Standard Diaphragm Cap	S16047-HT	\$23.39	S16049-HT	\$39.62	S16049-HT	\$39.62	S19013-HT	\$141.53	
	Pressure Regulating Diaphragm Cap	S16047-3HT	\$25.35	S16049-3HT	\$42.25	S16049-3HT	\$42.25	S19013-3HT	\$144.51	
⑪	Cleaning Rod	S16036-L	\$2.03	S16038-L	\$2.57	S16038-L	\$2.57	S19009	\$3.14	
⑫	Diaphragm Spring	S16051	\$2.26	S16052	\$2.70	S16052	\$2.70	S19017	\$3.72	
⑬	Fiber Washer	S16053	\$0.24	S16054	\$0.30	S16054	\$0.30	S18002-F	\$1.08	
⑭	Diaphragm Shaft	S16014-2	\$9.90	S16016-2	\$17.98	S16016-2	\$17.98	S190052	\$25.35	
⑮	Diaphragm Plate Upper	S16017	\$1.45	S16019-A	\$2.81	S16019-A	\$2.81	S19010	\$28.83	
⑯	Diaphragm	S16056	\$10.48	S16058	\$19.64	S16058	\$19.64	S19006	\$65.58	
⑰	Diaphragm Plate Lower	S16021	\$1.69	S16023	\$4.73	S16023	\$4.73	S19011	\$34.82	
⑱	Diaphragm Spacer Nut	S16025-1	\$1.69	S16026	\$2.57	S16026	\$2.57			
⑲	Valve Disc Holder	S16028	\$6.76	S16030	\$13.08	S16031	\$17.98	S19012	\$35.49	
⑳	Valve Disc, Seat Washer	S16060	\$2.87	S16062	\$5.41	S16063	\$5.95	S19003	\$25.01	
㉑	Valve Disc, Retaining Washer	S16064	\$0.74	S16066	\$1.22	S16019	\$1.22			
㉒	Valve Disc Nut	S16032	\$1.15	S16033	\$1.28	S16033	\$1.28	S16003	\$1.28	
㉓	Self-Flushing Filter	S16540	\$5.58	S16539	\$5.58	S16539	\$5.58	S16539	\$5.58	
㉔	Diaphragm Assembly (Includes Parts 12-23)									
		S16212-L	\$43.03	S16214-L	\$75.21	S16215-L	\$80.65	S16216-L	\$300.07	
㉕	L-Fitting	S16500	\$3.72	S16500	\$3.72	S16500	\$3.72	S16500	\$3.72	
㉖	Valve Body/Standard	S16068	\$47.59	S16070	\$87.38	S16071	\$115.34	S19014	\$464.79	
㉗	Valve Body/Pressure Regulating	S16068-3	\$47.59	S16070-3	\$87.38	S16071-3	\$115.34	S19014-3	\$464.79	
㉘	Regulator	S16525	\$54.08	S16525	\$54.08	S16525	\$54.08	S16525	\$54.08	
㉙	1/8" Hex Nipple	S16524	\$1.52	S16524	\$1.52	S16524	\$1.52	S16524	\$1.52	
㉚	Shrader Valve	S16537	\$4.23	S16537	\$4.23	S16537	\$4.23	S16537	\$4.23	
㉛	L-Fitting and Bushing	S16500-1	\$3.72	S16500-1	\$3.72	S16500-1	\$3.72	S16500-1	\$3.72	
	Barbed L-Fitting (Bonnet)	S16527	\$4.56	S16527	\$4.56	S16527	\$4.56	S16527	\$4.56	
㉜	T-Tubing, EP Valves	S16513	\$3.08	S16514	\$3.68	S16514	\$3.68	S16515	\$4.90	
㉝	Exterior Tubing w/ Brass Insert (Standard Valves)									
		S16499	\$3.72	S16498	\$3.72	S16498	\$3.72	S16498	\$3.72	
	Repair Kit – All Rubber and Fiber Parts (Not Shown)									
		S17309	\$17.00	S17311	\$28.97	S17312	\$29.51	S17313	\$98.13	

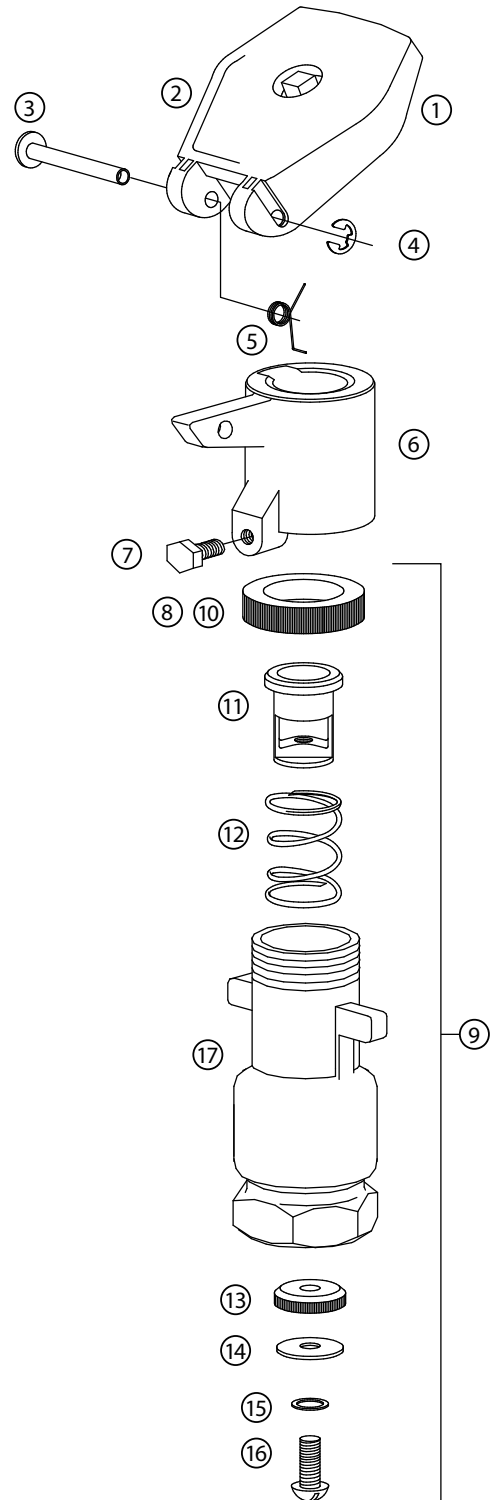
HQ3RC: Quick Coupler Valve

Item	Description	Catalog No.	Price
①	Cover Kit - Yellow Non-Locking <i>(Includes items 2-5)</i>	150700	\$44.00
②	Cover - Yellow Non-Locking <i>(Use item #1 above)</i>	N/A	N/A
③	Hinge Pin - <i>(Use 7/32" x 2" stainless steel bolt)</i>	N/A	N/A
④	Retainer - Hinge Pin <i>(Use 7/32" stainless steel nylock nut)</i>	N/A	N/A
⑤	Spring - Cover Retraction <i>(Use item #1 above)</i>	N/A	N/A
⑥	Seal Kit - Upper <i>(Includes 25 each item #8)</i>	103600	\$58.00
⑦	Seal Kit - Complete <i>(Includes items 8-14)</i>	149500	\$36.50
⑧	Upper Seal <i>(Use item 6 or 7 above)</i>	N/A	N/A
⑨	Plunger <i>(Use item 7 above)</i>	N/A	N/A
⑩	Spring <i>(Use item 7 above)</i>	N/A	N/A
⑪	Seat <i>(Use item 7 above)</i>	N/A	N/A
⑫	Washer - Stainless steel <i>(Use item 7 above)</i>	N/A	N/A
⑬	Washer - Fiber <i>(Use item 7 above)</i>	N/A	N/A
⑭	Screw - Stainless steel <i>(Use item 7 above)</i>	N/A	N/A
⑮	Body - Brass <i>(Use new quick coupler, eg: HQ3RC)</i>	N/A	N/A



HQ33RC, HQ33LRC, HQ33LRCR: Quick Coupler Valve

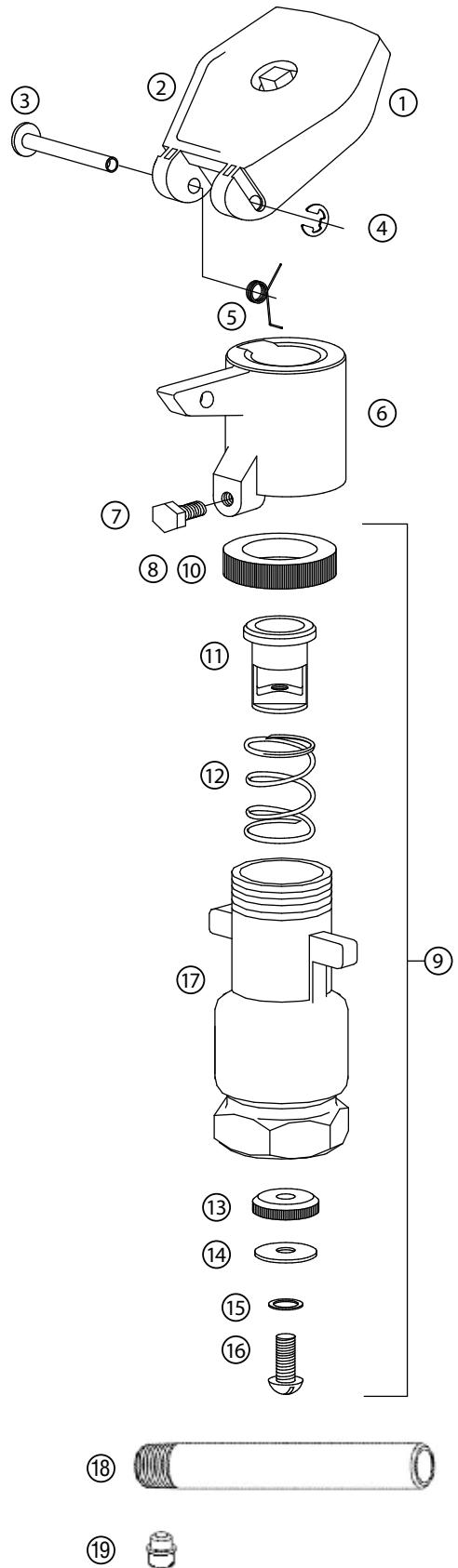
Item	Description	Catalog No.	Price																			
①	Cover Kit - Yellow Non-Locking <i>(Includes items 2–5)</i>	150700	\$44.00																			
	Cover Kit - Yellow Locking <i>(Includes items 2–5)</i>	158300	\$59.50																			
	Cover Kit - Purple Locking <i>(Includes items 2–5)</i>	168000	\$59.50																			
②	Cover - Yellow Non-Locking <i>(Use item #1 above)</i>	N/A	N/A																			
	Cover - Yellow Locking <i>(Use item #1 above)</i>	N/A	N/A																			
	Cover - Purple Locking <i>(Use item #1 above)</i>	N/A	N/A																			
③	Hinge Pin <i>(Use 7/32" x 2" stainless steel bolt)</i>	N/A	N/A																			
④	Retainer - Hinge Pin <i>(Use 7/32" x 2" stainless steel nylock bolt)</i>	N/A	N/A																			
⑤	Spring - Cover Retraction <i>(Use item #1 above)</i>	N/A	N/A																			
⑥	Upper Body Kit - Brass <i>(Includes items 6–7)</i>	169500	\$61.25																			
⑦	Lock Bolt - Stainless Steel <i>(Use 1/4" x 1")</i>	N/A	N/A																			
⑧	Seal Kit - Upper <i>(Includes 25 each item #10)</i>	168100	\$58.00																			
⑨	Seal Kit - Complete <i>(Includes items 10–16)</i>	168200	\$36.50																			
⑩	Upper Seal - <i>(Use item 8 or 9 above)</i>	N/A	N/A																			
⑪	Plunger - <i>(Use item 9 above)</i>	N/A	N/A																			
⑫	Spring - <i>(Use item 9 above)</i>	N/A </tr <tr> <td>⑬</td> <td>Seat - <i>(Use item 9 above)</i></td> <td>N/A</td> <td>N/A</td> </tr> <tr> <td>⑭</td> <td>Washer - Stainless Steel <i>(Use item 9 above)</i></td> <td>N/A</td> <td>N/A</td> </tr> <tr> <td>⑮</td> <td>Washer - Fiber <i>(Use item 9 above)</i></td> <td>N/A</td> <td>N/A</td> </tr> <tr> <td>⑯</td> <td>Screw - Stainless Steel <i>(Use item 9 above)</i></td> <td>N/A</td> <td>N/A</td> </tr> <tr> <td>⑰</td> <td>Body - Brass <i>(Use new quick coupler, e.g: HQ33LRC)</i></td> <td>N/A</td> <td>N/A</td> </tr>	⑬	Seat - <i>(Use item 9 above)</i>	N/A	N/A	⑭	Washer - Stainless Steel <i>(Use item 9 above)</i>	N/A	N/A	⑮	Washer - Fiber <i>(Use item 9 above)</i>	N/A	N/A	⑯	Screw - Stainless Steel <i>(Use item 9 above)</i>	N/A	N/A	⑰	Body - Brass <i>(Use new quick coupler, e.g: HQ33LRC)</i>	N/A	N/A
⑬	Seat - <i>(Use item 9 above)</i>	N/A	N/A																			
⑭	Washer - Stainless Steel <i>(Use item 9 above)</i>	N/A	N/A																			
⑮	Washer - Fiber <i>(Use item 9 above)</i>	N/A	N/A																			
⑯	Screw - Stainless Steel <i>(Use item 9 above)</i>	N/A	N/A																			
⑰	Body - Brass <i>(Use new quick coupler, e.g: HQ33LRC)</i>	N/A	N/A																			



HQ44RC, HQ44LRC, HQ44LRCR: Quick Coupler Valve

Item	Description	Catalog No.	Price
①	Cover Kit - Yellow Non-Locking <i>(Includes items 2–5)</i>	168300	\$45.25
	Cover Kit - Yellow Locking <i>(Includes items 2–5)</i>	168400	\$65.50
	Cover Kit - Purple Locking <i>(Includes items 2–5)</i>	168500	\$65.50
②	Cover - Yellow Non-Locking <i>(Use item #1 above)</i>	N/A	N/A
	Cover - Yellow Locking <i>(Use item #1 above)</i>	N/A	N/A
	Cover - Purple Locking <i>(Use item #1 above)</i>	N/A	N/A
③	Hinge Pin <i>(Use 7/32" x 2" stainless steel bolt)</i>	N/A	N/A
④	Retainer - Hinge Pin <i>(Use 7/32" x 2" stainless steel nylock bolt)</i>	N/A	N/A
⑤	Spring - Cover Retraction <i>(Use item #1 above)</i>	N/A	N/A
⑥	Upper Body Kit - Brass <i>(Includes items 6–7)</i>	169600	\$72.75
⑦	Lock Bolt - <i>(Use 1/4" x 1" stainless steel)</i>	N/A	N/A
⑧	Seal Kit - Upper <i>(Includes 25 each item #10)</i>	168600	\$75.25
⑨	Seal Kit - Complete <i>(Includes items 10–16)</i>	168700	\$40.00
⑩	Upper Seal - <i>(Use item 8 or 9 above)</i>	N/A	N/A
⑪	Plunger - <i>(Use item 9 above)</i>	N/A	N/A
⑫	Spring - <i>(Use item 9 above)</i>	N/A	N/A
⑬	Seat - <i>(Use item 9 above)</i>	N/A	N/A
⑭	Washer - Stainless Steel <i>(Use item 9 above)</i>	N/A	N/A
⑮	Washer - Fiber <i>(Use item 9 above)</i>	N/A	N/A
⑯	Screw - Stainless Steel <i>(Use item 9 above)</i>	N/A	N/A
⑰	Body - Brass <i>(Use new quick coupler, e.g: HQ33LRC)</i>	N/A	N/A

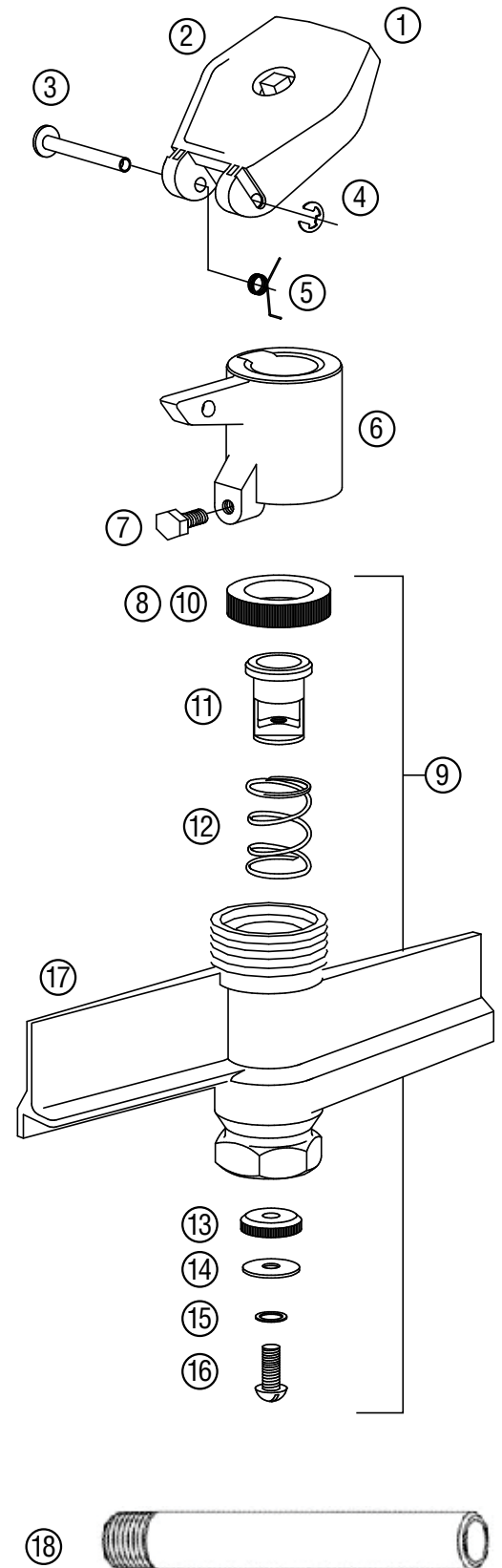
Item	Description	Catalog No.	Price
⑱	Handle Kit - for HK44 Key <i>(includes 10 handles)</i>	169200	\$32.00
⑲	Lug Kit - for HK44 Key <i>(includes 10 each item #19)</i>	169400	\$78.75



HQ44RCAW, HQ44LRCAW, HQ44LRCAWR: Quick Coupler Valve

Item	Description	Catalog No.	Price
①	Cover Kit - Yellow Non-Locking <i>(Includes items 2-5)</i>	168300	\$45.25
	Cover Kit - Yellow Locking <i>(Includes items 2-5)</i>	168400	\$65.50
	Cover Kit - Purple Locking <i>(Includes items 2-5)</i>	168500	\$65.50
②	Cover - Yellow Non-Locking <i>(Use item #1 above)</i>	N/A	N/A
	Cover - Yellow Locking <i>(Use item #1 above)</i>	N/A	N/A
	Cover - Purple Locking <i>(Use item #1 above)</i>	N/A	N/A
③	Hinge Pin <i>(Use 7/32" x 2" stainless steel bolt)</i>	N/A	N/A
④	Retainer - Hinge Pin <i>(Use 7/32" x 2" stainless steel nylock bolt)</i>	N/A	N/A
⑤	Spring - Cover Retraction <i>(Use item #1 above)</i>	N/A	N/A
⑥	Upper Body Kit - Brass <i>(Includes items 6-7)</i>	169700	\$96.25
⑦	Lock Bolt <i>(Use 1/4" x 1" stainless steel)</i>	N/A	N/A
⑧	Seal Kit - Upper <i>(Includes 25 each item #10)</i>	168600	\$75.25
⑨	Seal Kit - Complete <i>(Includes items 10-16)</i>	168700	\$40.00
⑩	Upper Seal - <i>(Use item 8 or 9 above)</i>	N/A	N/A
⑪	Plunger - <i>(Use item 9 above)</i>	N/A	N/A
⑫	Spring - <i>(Use item 9 above)</i>	N/A <td N/A	
⑬	Seat - <i>(Use item 9 above)</i>	N/A	N/A
⑭	Washer - Stainless Steel <i>(Use item 9 above)</i>	N/A	N/A
⑮	Washer - Fiber <i>(Use item 9 above)</i>	N/A	N/A
⑯	Screw - Stainless Steel <i>(Use item 9 above)</i>	N/A	N/A
⑰	Body - Brass <i>(Use new quick coupler e.g: HQ44RCAW)</i>	N/A	N/A

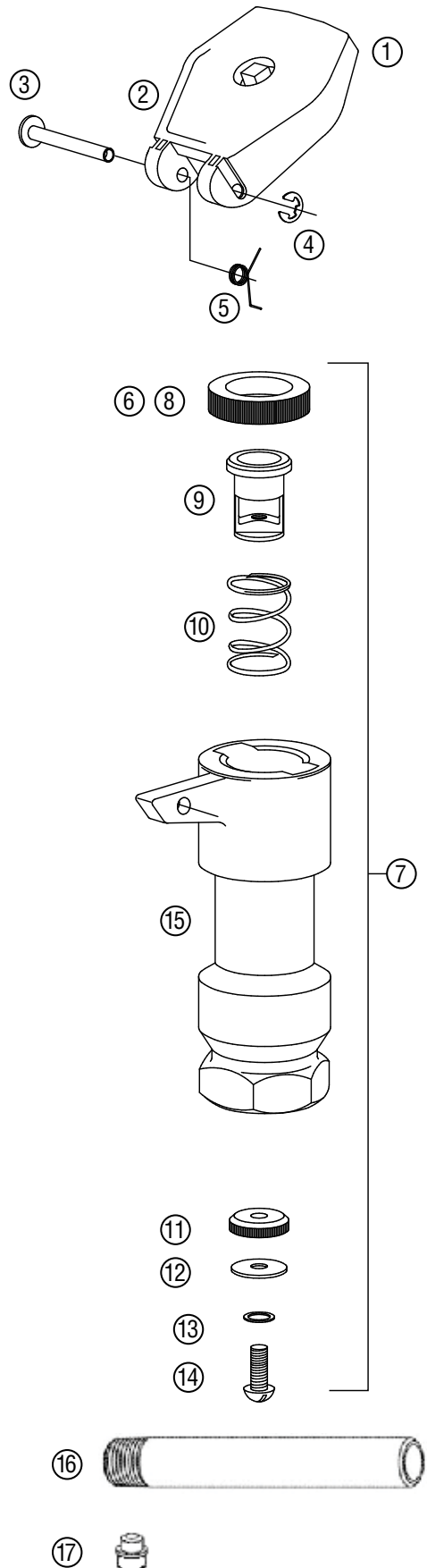
Item	Description	Catalog No.	Price
⑱	Handle Kit - for HK44 Key <i>(Includes 10 handles)</i>	169200	\$32.00



HQ5RC, HQ5LRC, HQ5LRCR: Quick Coupler Valve

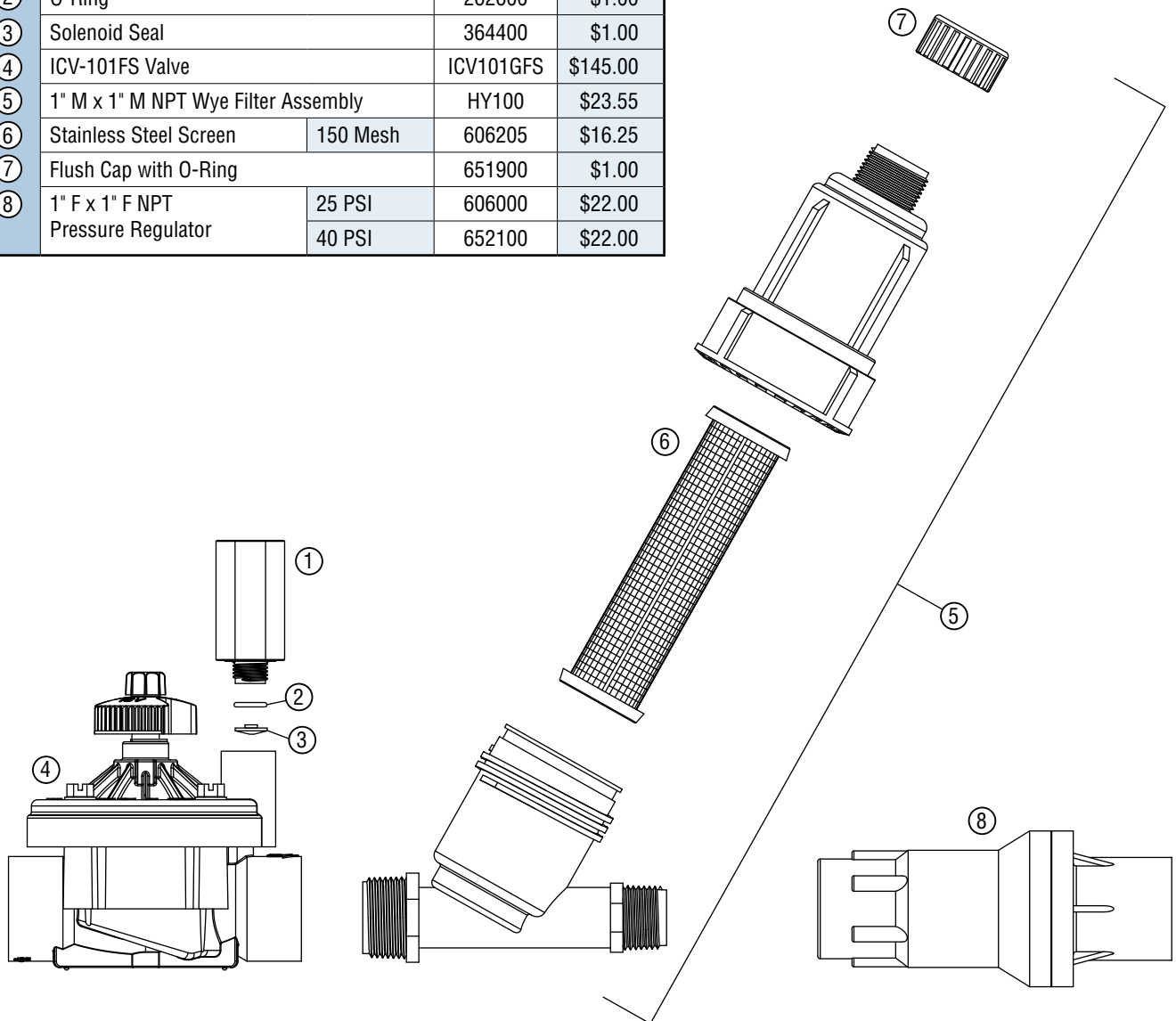
Item	Description	Catalog No.	Price
①	Cover Kit - Yellow Non-Locking <i>(Includes items 2–5)</i>	168300	\$45.25
	Cover Kit - Yellow Locking <i>(Includes items 2–5)</i>	168800	\$61.50
	Cover Kit - Purple Locking <i>(Includes items 2–5)</i>	168900	\$65.50
②	Cover - Yellow Non-Locking <i>(Use item #1 above)</i>	N/A	N/A
	Cover - Yellow Locking <i>(Use item #1 above)</i>	N/A	N/A
	Cover - Purple Locking <i>(Use item #1 above)</i>	N/A	N/A
③	Hinge Pin <i>(Use 7/32" x 2" stainless steel bolt)</i>	N/A	N/A
④	Retainer - Hinge Pin <i>(Use 7/32" x 2" stainless steel nylock bolt)</i>	N/A	N/A
⑤	Spring - Cover Retraction <i>(Use item #1 above)</i>	N/A	N/A
⑥	Seal Kit - Upper <i>(Includes 25 each item #8)</i>	169000	\$76.25
⑦	Seal Kit - Complete <i>(Includes items 8–14)</i>	169100	\$41.75
⑧	Upper Seal - <i>(Use item 6 or 7 above)</i>	N/A	N/A
⑨	Plunger - <i>(Use item 7 above)</i>	N/A	N/A
⑩	Spring - <i>(Use item 7 above)</i>	N/A </td <td>N/A</td>	N/A
⑪	Seat - <i>(Use item 7 above)</i>	N/A	N/A
⑫	Washer - Stainless Steel <i>(Use item 7 above)</i>	N/A	N/A
⑬	Washer - Fiber <i>(Use item 7 above)</i>	N/A	N/A
⑭	Screw - Stainless Steel <i>(Use item 7 above)</i>	N/A	N/A
⑮	Body - Brass <i>(Use new quick coupler e.g: HQ5RC/HQ5RCB)</i>	N/A	N/A

Item	Description	Catalog No.	Price
⑯	Handle Kit - for HK55 Key <i>(Includes 10 handles)</i>	169300	\$41.50
⑰	Lug Kit - for HK55 Key <i>(Includes 10 each item #17)</i>	169400	\$78.75



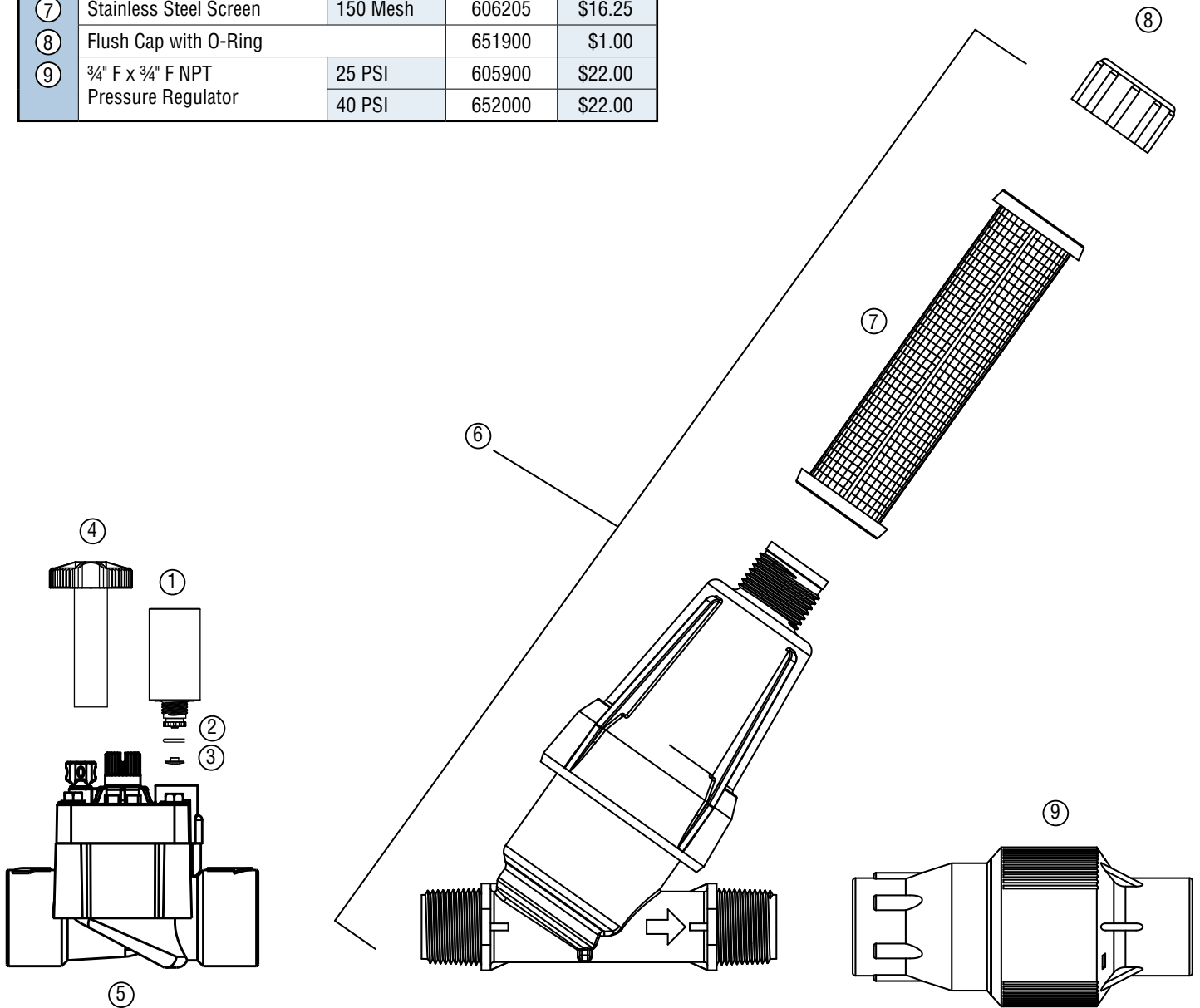
ICZ-101: Drip Control Zone Kit

Item	Description		Catalog No.	Price
①	Solenoid Assembly (Includes parts 2 & 3)	AC Solenoid	606800	\$11.50
		DC Solenoid	458200	\$37.99
②	O-Ring		262600	\$1.00
③	Solenoid Seal		364400	\$1.00
④	ICV-101FS Valve		ICV101GFS	\$145.00
⑤	1" M x 1" M NPT Wye Filter Assembly		HY100	\$23.55
⑥	Stainless Steel Screen	150 Mesh	606205	\$16.25
⑦	Flush Cap with O-Ring		651900	\$1.00
⑧	1" F x 1" F NPT Pressure Regulator	25 PSI	606000	\$22.00
		40 PSI	652100	\$22.00



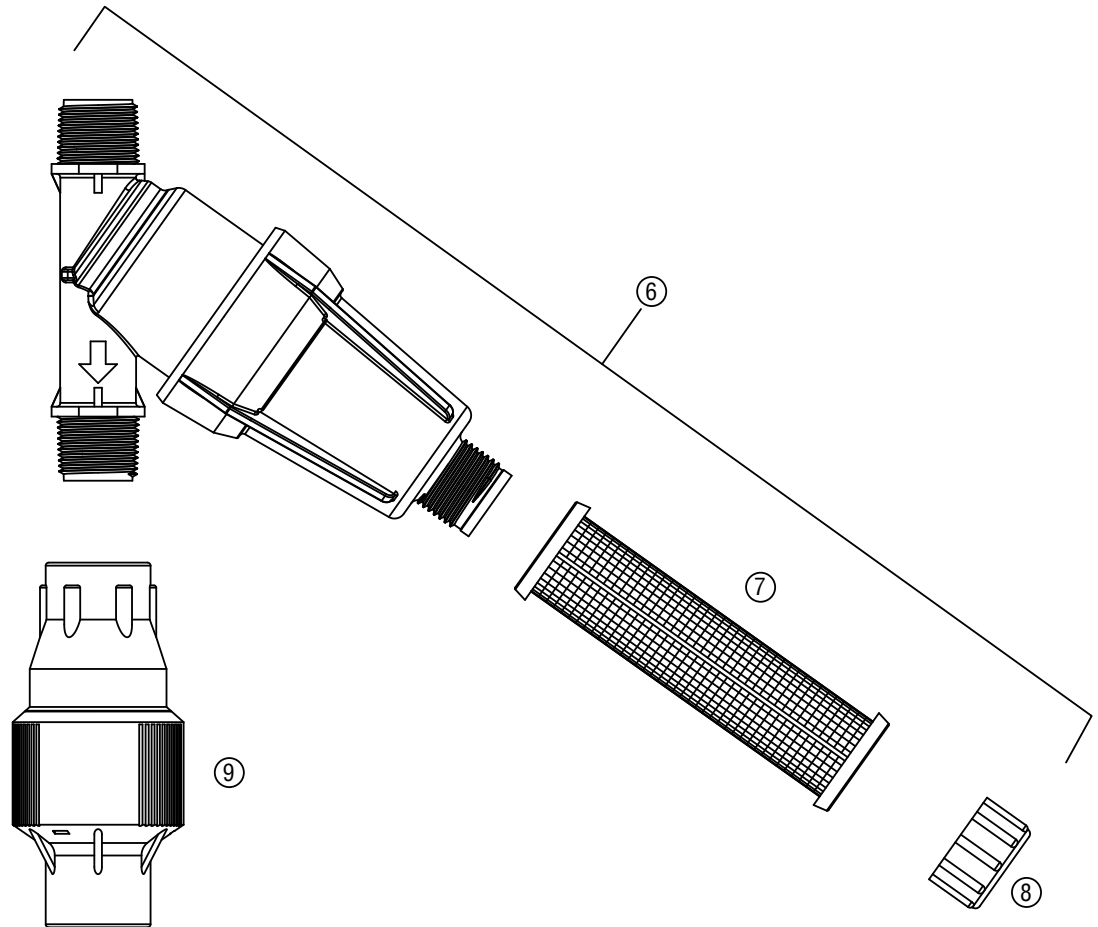
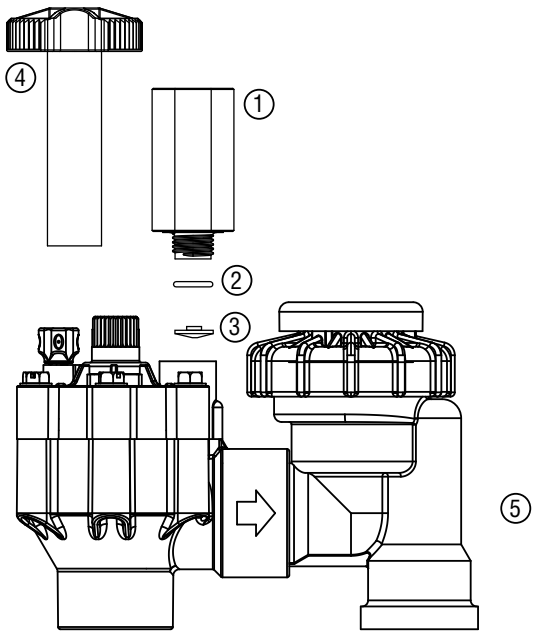
PCZ-101: Drip Zone Control Kit

Item	Description		Catalog No.	Price
①	Solenoid Assembly <i>(Includes parts 2 & 3)</i>	AC Solenoid	606800	\$11.50
		DC Solenoid	458200	\$37.99
②	O-Ring		262600	\$1.00
③	Solenoid Seal		364400	\$1.00
④	Handle Flow Control	Black	269200	\$2.00
		Purple	269205	\$2.00
⑤	PGV101G Valve		PGV101G	\$30.00
⑥	1" M x 3/4" M NPT Wye Filter Assembly		HY10075	\$23.55
⑦	Stainless Steel Screen	150 Mesh	606205	\$16.25
⑧	Flush Cap with O-Ring		651900	\$1.00
⑨	3/4" F x 3/4" F NPT Pressure Regulator	25 PSI	605900	\$22.00
		40 PSI	652000	\$22.00



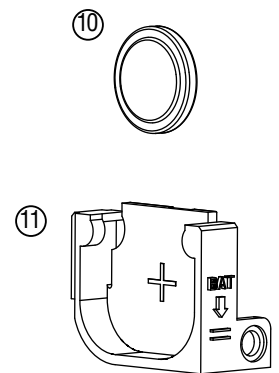
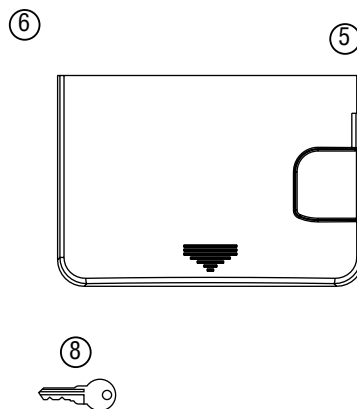
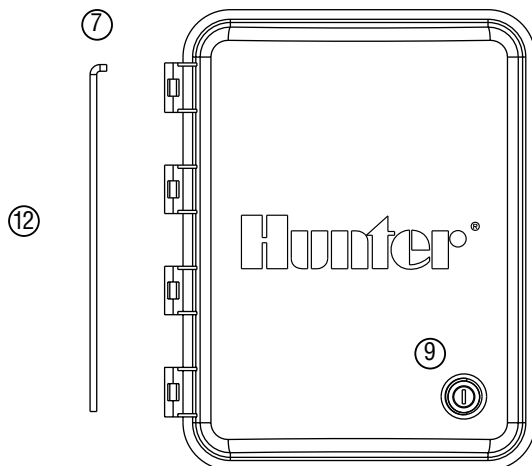
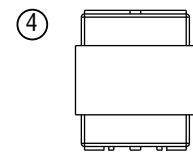
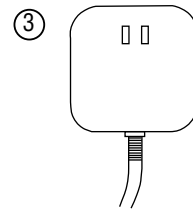
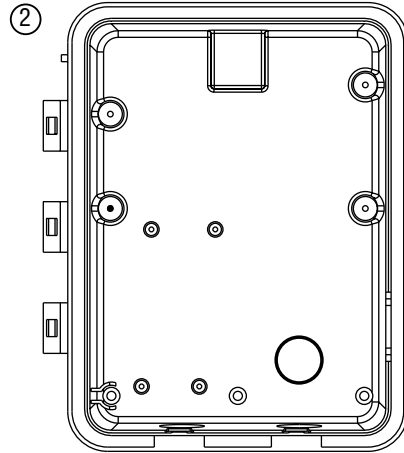
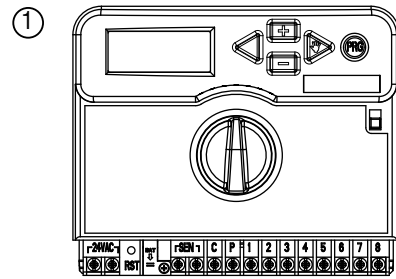
ACZ-075: Drip Control Zone Kit

Item	Description		Catalog No.	Price
①	Solenoid Assembly <i>(Includes parts 2 & 3)</i>	AC Solenoid	434100	\$11.50
		DC Solenoid	458200	\$37.99
②	O-Ring		262600	\$1.00
③	Solenoid Seal		364400	\$1.00
④	Handle Flow Control	Black	269200	\$2.00
		Purple	269205	\$2.00
⑤	¾" PGV-ASV Valve		PGV-075-ASV	\$28.00
⑥	¾" M x ¾" M NPT Wye Filter Assembly		HY075	\$20.35
⑦	Stainless Steel Screen	100 Mesh	606200	\$16.25
		150 Mesh	606205	\$16.25
⑧	Flush Cap with O-Ring		651900	\$1.00
⑨	¾" F x ¾" F NPT Pressure Regulator	25 PSI	605900	\$22.00
		40 PSI	652000	\$22.00



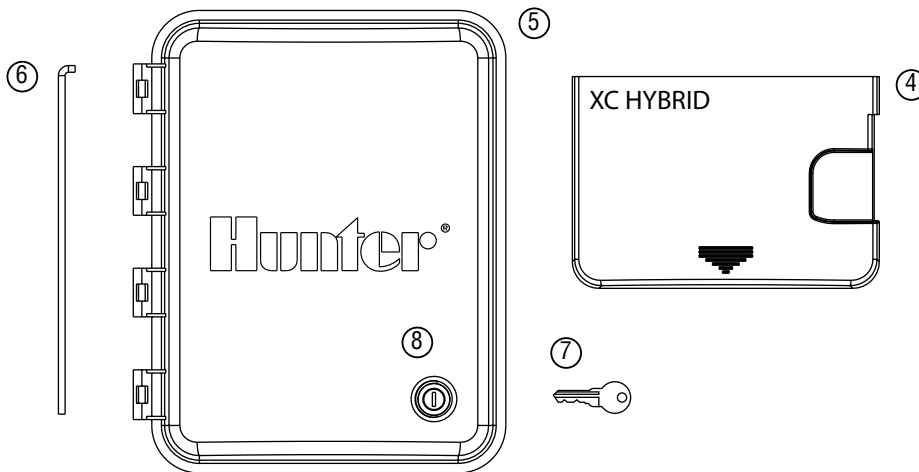
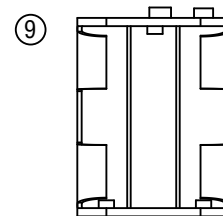
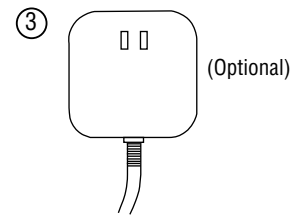
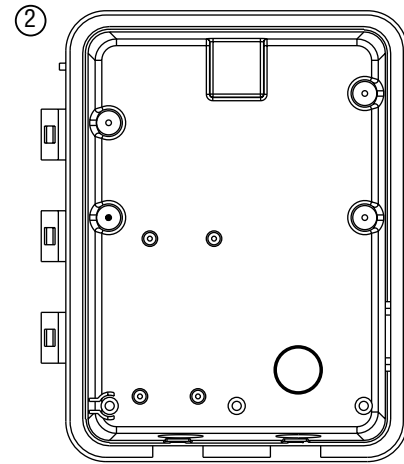
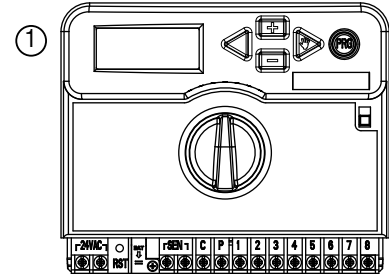
XC Controller: Residential Controller

Item	Description	Catalog No.	Price	
①	Front Panel (<i>Outdoor & Indoor</i>)	2-Station	625802	\$65.00
		4-Station	625804	\$75.00
		6-Station	625806	\$85.00
		8-Station	625808	\$95.00
②	Cabinet	527100	\$27.00	
③	Indoor Transformer	120/24VAC (U.S.)	526500	\$32.00
		230/24VAC (European)	545700	\$32.00
		240/24VAC (Australian)	545500	\$32.00
④	Outdoor Transformer	120/24VAC (U.S.)	468000	\$32.00
		230/24VAC (European)	545800	\$32.00
		240/24VAC (Australian)	545600	\$32.00
⑤	Access Door	Indoor Model	471020	\$5.00
		Outdoor Model	471010	\$5.00
⑥	Front Door	428000	\$16.00	
⑦	Front Door Hinge Pin	429200	\$2.00	
⑧	Key Set (2)	122516	\$5.00	
⑨	Lock & Key Set	387300	\$12.00	
⑩	3-Volt Lithium Battery (<i>CR2032</i>)	622032	\$5.00	
⑪	Battery Holder	627800	\$5.00	
⑫	Cabinet Assembly (<i>Includes Cabinet, Front Door, Door Pin, and Lock and Key Set</i>)	213000	\$40.00	
	Owner's Manual	English, Spanish, French, Italian, German	LIT-397	\$2.00
		Portuguese	INT-572	\$2.00
	Faceplate Overlay	Spanish	INT-578	\$1.00
		French	INT-577	\$1.00
		Italian	INT-579	\$1.00
		German	INT-580	\$1.00
		Portuguese	INT-571	\$1.00



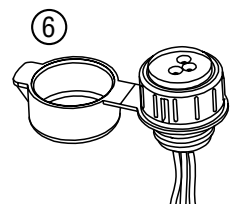
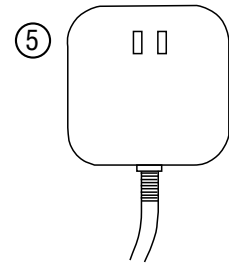
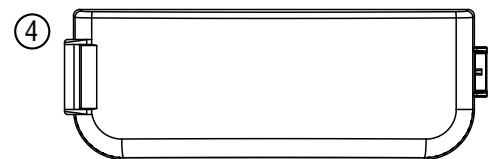
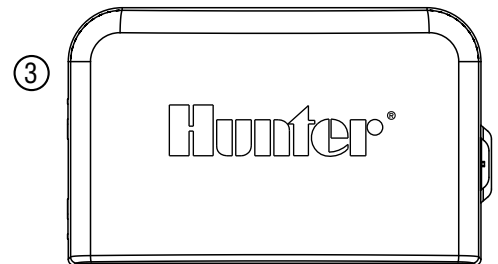
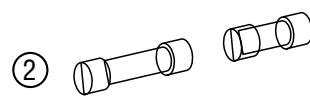
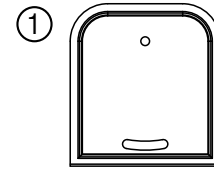
XC Hybrid Controller: Residential Controller (Battery Operated)

Item	Description	Catalog No.	Price
①	Front Panel (<i>Outdoor & Indoor</i>)	4-Station	152515 \$75.00
		6-Station	152520 \$85.00
		8-Station	152525 \$95.00
		10-Station	152500 \$105.00
		12-Station	152505 \$110.00
②	Cabinet	527100	\$27.00
③	Indoor Transformer (<i>Optional</i>)	120/24VAC (U.S.)	526500 \$32.00
		230/24VAC (European)	545700 \$32.00
		240/24VAC (Australian)	545500 \$32.00
④	Access Door	Outdoor Model	471010 \$5.00
⑤	Front Door		428000 \$16.00
⑥	Front Door Hinge Pin		429200 \$2.00
⑦	Key Set (2)		122516 \$5.00
⑧	Lock & Key Set		387300 \$12.00
⑨	Battery Holder (<i>6AA Not Included</i>)		152105 \$10.00
	Owner's Manual	English, Spanish, French, Italian, German	LIT-459 \$2.00
	Faceplate Overlay	Spanish	INT-649 \$1.00
		French	INT-650 \$1.00
		Italian	INT-651 \$1.00
		German	INT-653 \$1.00
		Portuguese	INT-652 \$1.00



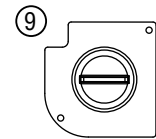
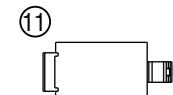
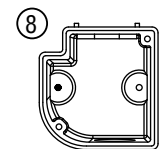
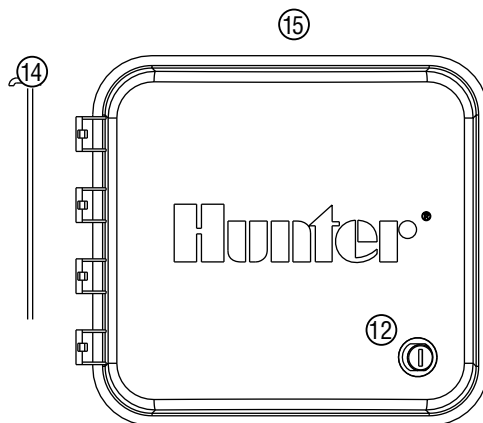
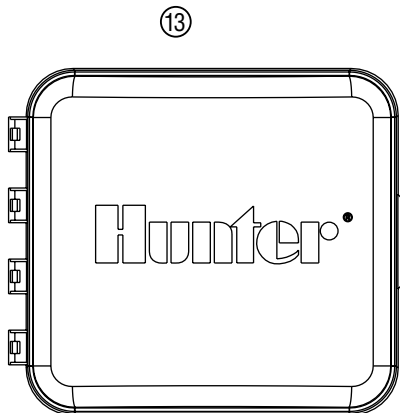
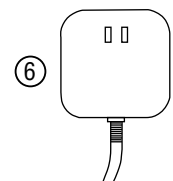
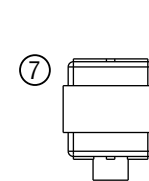
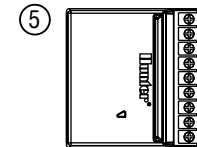
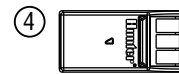
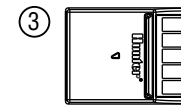
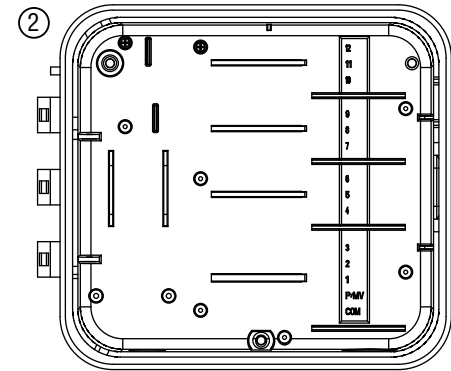
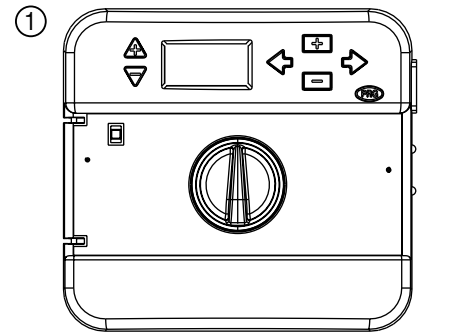
SRC Plus: Residential/Light Commercial Controller

Item	Description	Catalog No.	Price
①	Mounting Plate	213354	\$5.00
②	Fuses (Required for SRCs mfg. prior to Jan 2004)	Long 1¼", 0.75A	142845 \$1.50
		Short 5 x 20 mm, 0.8A	143154 \$1.50
③	Door	217389	\$10.00
④	Terminal Cover Door	213243	\$7.00
⑤	Transformer Plug-In	120/24V 20VA (U.S.)	153263 \$32.00
		220VAC/50Hz (Export)	153400 \$32.00
⑥	SmartPort® Wiring Harness	6' Wire	SRR-WH \$15.00
		25' Wire - Shielded	SRR-SCWH \$20.00
	Owner's Manual	English	LIT-185 \$2.00
	International Labeling Kit (Includes Faceplate Label, Door Instruction Sticker, and Owner's Manual)	French	INT-260 \$5.25
		Spanish	INT-261 \$5.25
		Italian	INT-262 \$5.25



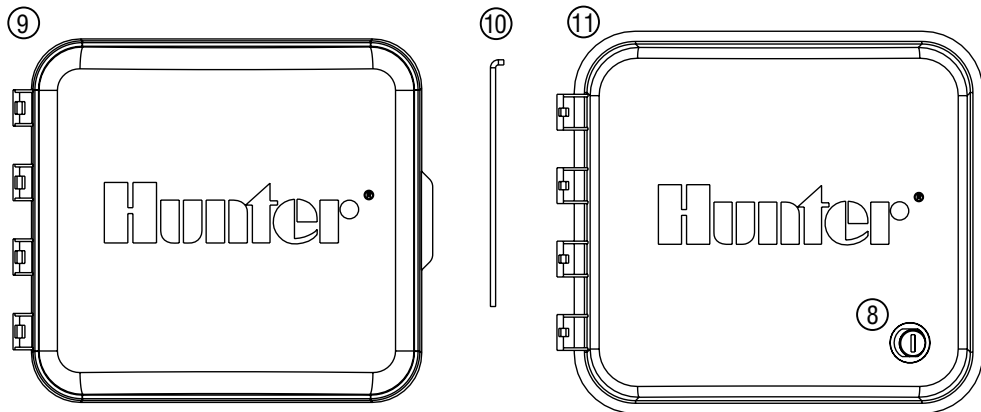
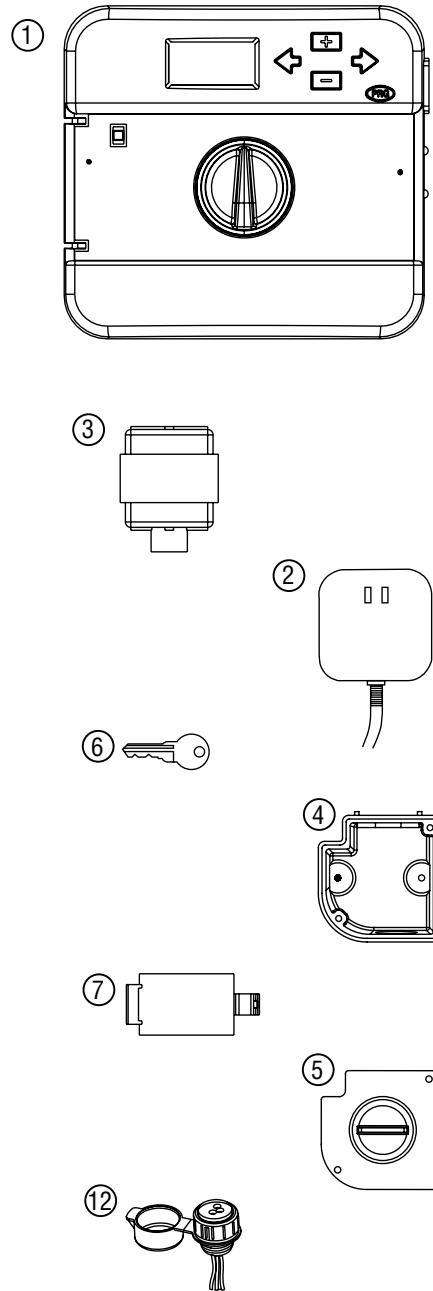
Pro-C: Indoor (PC-300i) & Outdoor (PC-300) Controllers

Item	Description	Catalog No.	Price	
①	Front Panel	526200	\$80.00	
②	Cabinet	Indoor Unit	463200	\$38.00
		Outdoor Unit	462800	\$48.00
③	Main Module	466500	\$60.00	
④	3-Station Module	PCM-300	\$47.00	
⑤	9-Station Module	PCM-900	\$195.00	
⑥	Indoor Transformer	120/24VAC (U.S.)	526500	\$32.00
		230/24VAC (European)	545700	\$32.00
		240/24VAC (Australian)	545500	\$32.00
⑦	Outdoor Transformer	120/24VAC (U.S.)	468000	\$32.00
		230/24VAC (European)	545800	\$32.00
		240/24VAC (Australian)	545600	\$32.00
⑧	Junction Box	464000	\$8.00	
⑨	Junction Box Cover	464100	\$5.00	
⑩	Key Set (2)	122516	\$5.00	
⑪	Battery Door	462900	\$2.00	
⑫	Lock & Key Set	387300	\$12.00	
⑬	Front Door (Without Lock)	Outdoor Unit	463100	\$16.00
⑭	Front Door Hinge Pin		464400	\$2.00
⑮	Front Door	Indoor Unit	463300	\$8.00
⑯	SmartPort® Wiring Harness	6' Wire	SRR-WH	\$15.00
		25' Wire - Shielded	SRR-SCWH	\$20.00
	Owner's Manual	English	LIT-329	\$2.00
	Hanging Card Kit	English	LIT-335	\$2.50
	International Kit (Includes Owner's Manual)	Spanish	INT-451	\$1.50
		French	INT-452	\$1.50
		Italian	INT-453	\$1.50
		German	INT-454	\$1.50
		Portuguese	INT-497	\$1.50



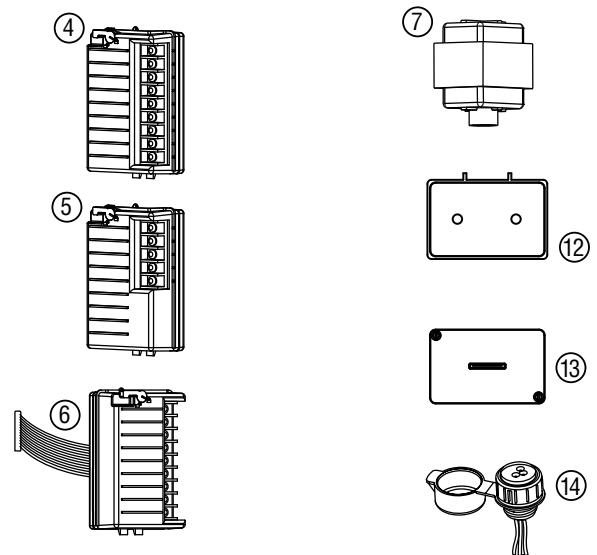
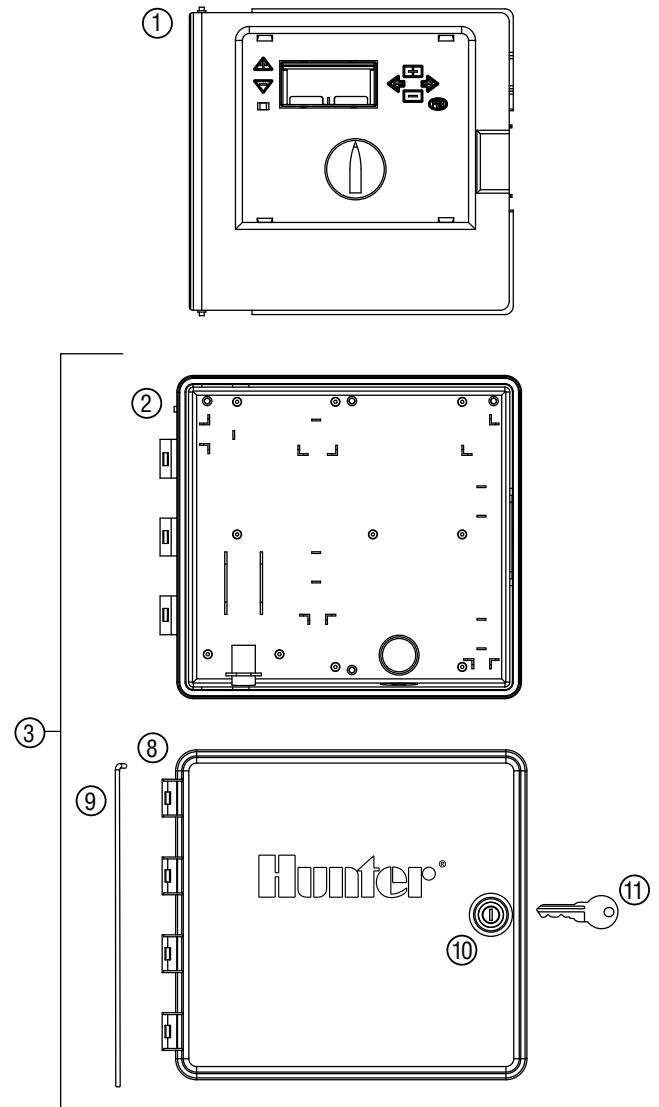
PCC: Indoor and Outdoor Controllers

Item	Description	Catalog No.	Price
①	Front Panel	526200	\$80.00
②	Indoor Transformer	120/24VAC (US)	526500 \$32.00
		230/24VAC (European)	545700 \$32.00
		240/24VAC (Australian)	545500 \$32.00
③	Outdoor Transformer	120/24VAC (US)	468000 \$32.00
		230/24VAC (European)	545800 \$32.00
		240/24VAC (Australian)	545600 \$32.00
④	Junction Box	464000	\$8.00
⑤	Junction Box Cover	464100	\$5.00
⑥	Key Set (2)	122516	\$5.00
⑦	Battery Door	462900	\$2.00
⑧	Lock & Key Set	387300	\$12.00
⑨	Front Door (Without Lock)	Outdoor Unit	463100 \$16.00
⑩	Front Door Hinge Pin	464400	\$2.00
⑪	Front Door	Indoor Unit	463300 \$8.00
		SmartPort Wiring Harness	6' Wire SRR-WH \$15.00 25' Wire - Shielded SRR-SCWH \$20.00
⑫	Owners Manual	English	LIT-794 \$2.00
	Hanging Card Kit	English	LIT-335 \$2.50
		International Kit (Includes Owners Manual)	Spanish INT-831 \$1.50 French INT-832 \$1.50 Italian INT-833 \$1.50 German INT-847 \$1.50 Portuguese INT-846 \$1.50



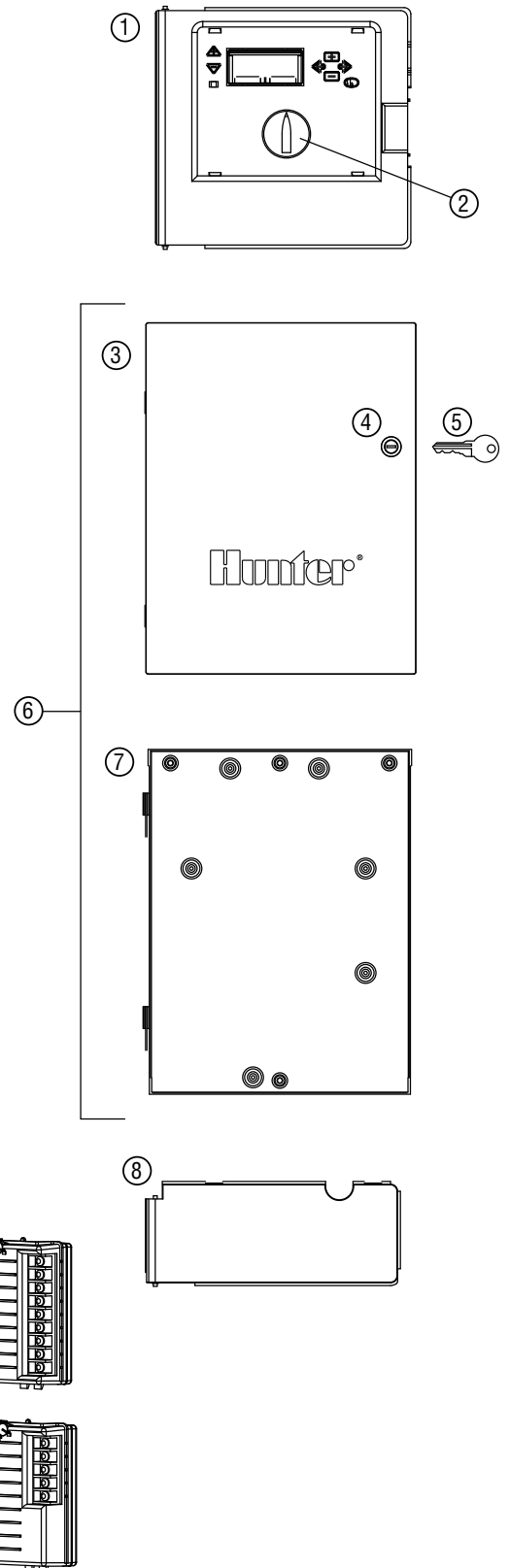
ICC: Institutional/Commercial Controller (ICC-800PL & ICC-801PL) – Plastic Cabinet

Item	Description	Catalog No.	Price	
①	Front Panel	429600	\$150.00	
②	Rear Cabinet	(U.S.)	373200	\$45.00
		(International)	373205	\$45.00
③	Plastic Cabinet Assembly <i>(Includes items 3, 10, 11, 12 & 13)</i>	631500	\$85.00	
④	8-Station Module	ICM800	\$140.00	
⑤	4-Station Module	ICM400	\$75.00	
⑥	Power Module	429800	\$135.00	
⑦	Transformer 110/220 24V 40VA <i>(Dual Voltage)</i>	154628	\$40.00	
⑧	Plastic Front Door without Lock	429700	\$25.00	
⑨	Front Door Hinge Pin	374000	\$3.00	
⑩	Lock and Key Set	387300	\$12.00	
⑪	Key Set (2)	122516	\$5.00	
⑫	Junction Box	374100	\$8.00	
⑬	Junction Box Door	374200	\$5.00	
⑭	SmartPort® Wiring Harness	6' Wire	SRR-WH	\$15.00
		25' Wire - Shielded	SRR-SCWH	\$20.00
	Station ID Label	English	LIT-245	\$1.00
	Owner's Manual	English	LIT-237	\$5.00
	Hanging Card Kit	English	LIT-334	\$2.50
	International Documentation <i>(Includes Owner's Manual, Door Instructions and Faceplate Label)</i>	Spanish	INT-321	\$9.00
		French	INT-322	\$9.00
		Italian	INT-323	\$9.00
		German	INT-370	\$9.00



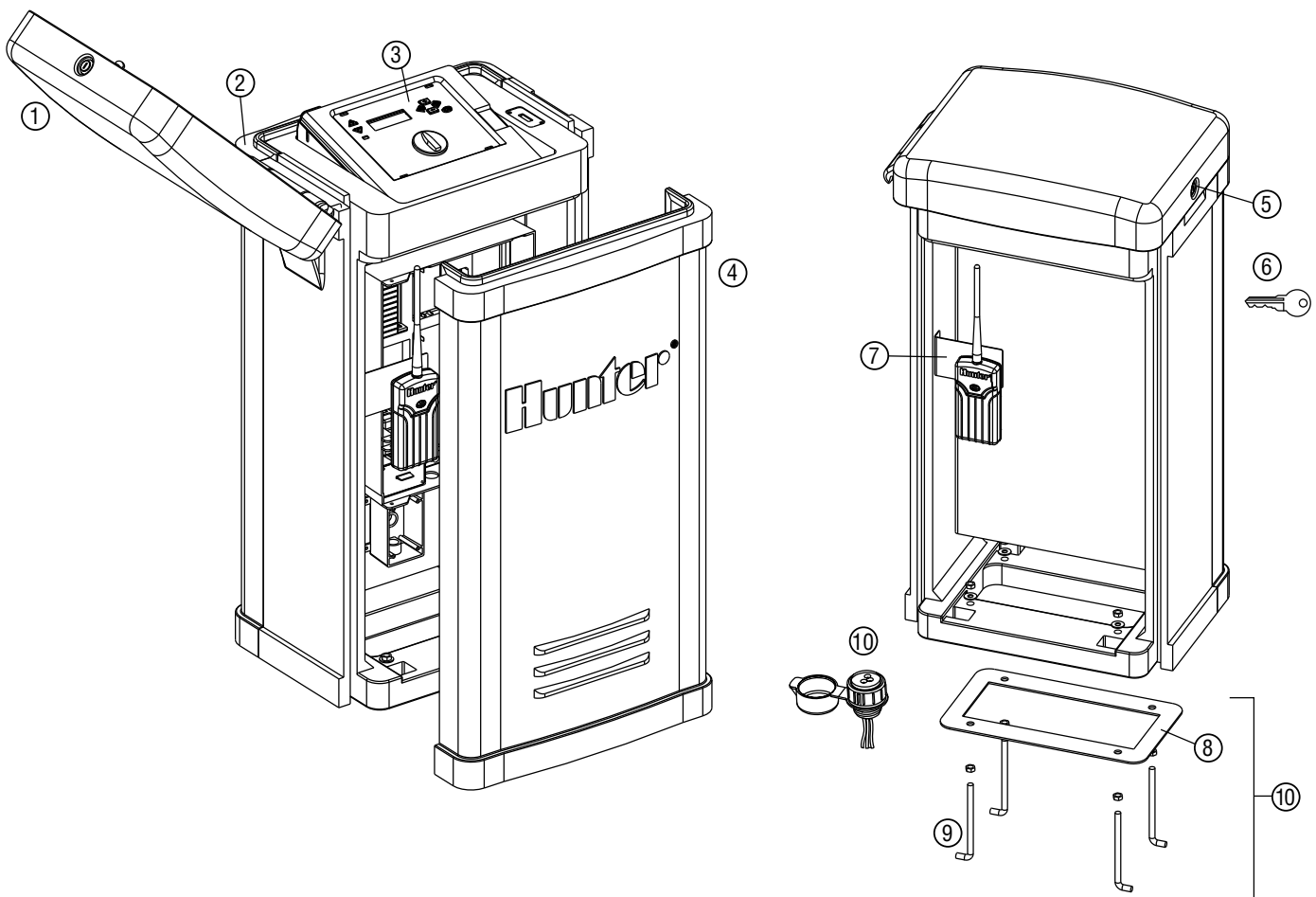
ICC: Institutional/Commercial Controller (ICC-800M & ICC-800SS) – Metal Cabinet

Item	Description	Catalog No.	Price
①	Front Panel	429600	\$160.00
②	Dial	375700	\$5.00
③	Metal Front Door w/o Lock	Powder Coated	384400 \$100.00
		Stainless Steel	384405 \$225.00
④	Lock & Key Set	387300	\$12.00
⑤	Key Set (2)	122516	\$5.00
⑥	Metal Cabinet w/ Door & Lock (Includes 3, 4 & 7)	Powder Coated	561700 \$320.00
		Stainless Steel	561800 \$650.00
⑦	Metal Cabinet w/o Door	Powder Coated	384300 \$275.00
		Stainless Steel	384305 \$450.00
⑧	Bottom Door	384200	\$20.00
⑨	8-Station Module	ICM800	\$140.00
⑩	4-Station Module	ICM400	\$75.00
⑪	Transformer 110/220 24V 40VA (Dual Voltage)	154628	\$40.00
⑫	Power Module	429800	\$135.00
⑬	Junction Box	374100	\$8.00
⑭	Junction Box Door	374200	\$5.00
⑮	SmartPort® Wiring Harness	6' Wire	SRR-WH \$15.00
		25' Wire - Shielded	SRR-SCWH \$20.00
	Inside Door Label	English	LIT-290 \$1.00
	Station ID Label	English	LIT-245 \$1.00
	Owner's Manual	English	LIT-237 \$5.00
	Hanging Door Card	English	LIT-334 \$2.50
	International Documentation (Includes Owner's Manual, Door Instructions, and Faceplate Label)	Spanish	INT-321 \$9.00
		French	INT-322 \$9.00
		Italian	INT-323 \$9.00
		German	INT-370 \$9.00



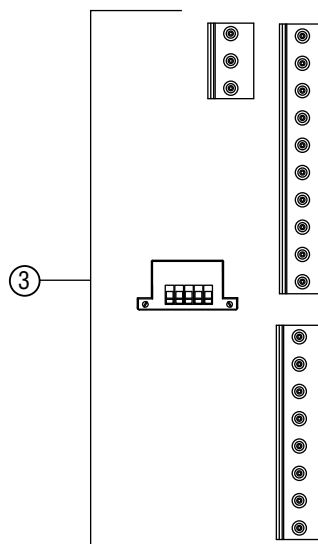
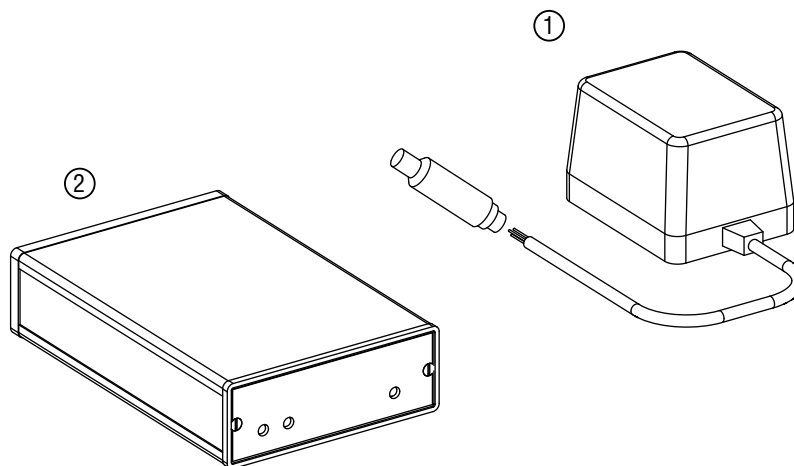
ICC Plastic Pedestal

Item	Description	Catalog No.	Price	
①	Lid	553300	\$100.00	
②	Hinge Pin	558400	\$21.00	
③	ICC Front Panel	429600	\$160.00	
④	Access Door	553200	\$150.00	
⑤	Lock & Key Set	558000	\$16.00	
⑥	Key Set (2)	122516	\$5.00	
⑦	SmartPort® Bracket	576000	\$25.00	
⑧	Mounting Template	558600	\$22.00	
⑨	Mounting Hardware	420200	\$50.00	
⑩	SmartPort Wiring Harness	6' Wire	SRR-WH	\$15.00
		25' Wire - Shielded	SRR-SCWH	\$20.00
	Ribbon Cable Extension (<i>Not shown</i>)	574600	\$25.00	
	Mounting Kit (<i>Includes 8 & 9</i>)	581700	\$65.00	



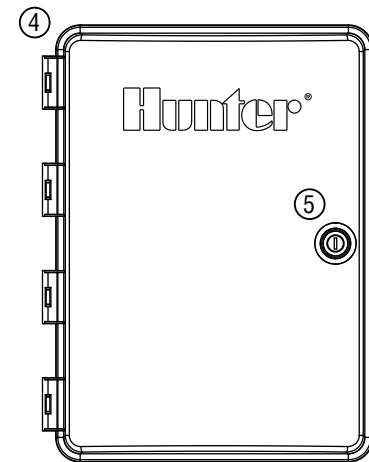
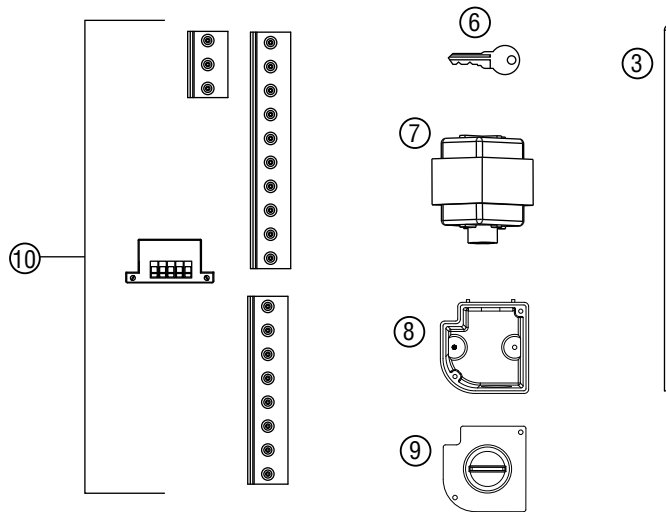
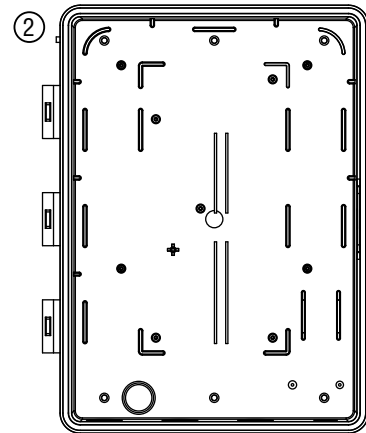
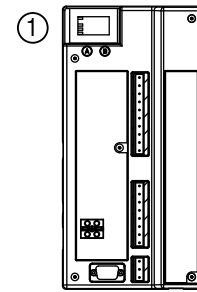
IMMS-CCC: Irrigation Management and Monitoring

Item	Description	Catalog No.	Price
①	Transformer Assembly	120/24VAC (U.S.)	622100 \$40.00
		230/24VAC (International)	622105 \$40.00
		230/24VAC (AU/NZ)	622115 \$40.00
②	Central Computer Communications Unit <i>(Includes 1 & 3)</i>	U.S.	IMMS-CCC \$575.00
		International	IMMS-CCC-E \$575.00
		AU/NZ	IMMS-CCC-A \$575.00
③	Terminal Plugs <i>(1 CCC GCBL & 1 Set of Interface plugs)</i>	629800	\$35.00



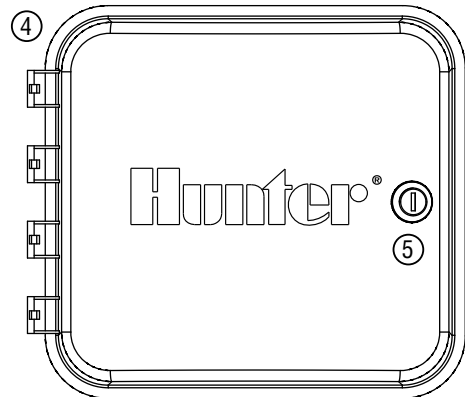
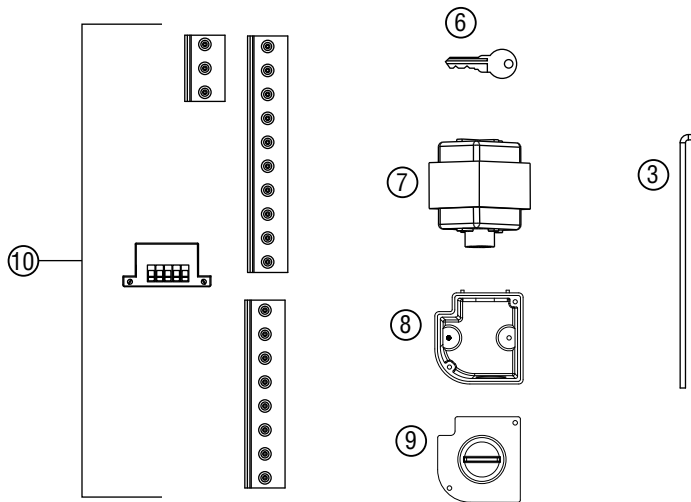
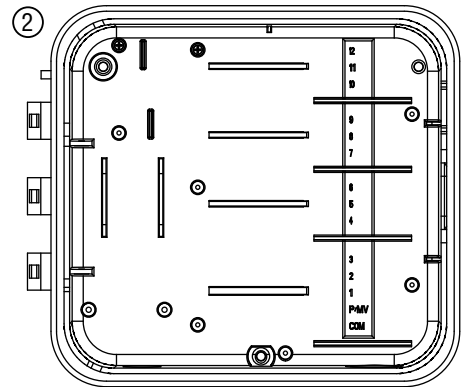
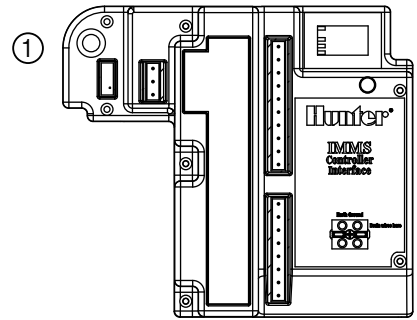
IMMS-SI: Irrigation Management and Monitoring System™

Item	Description	Catalog No.	Price
①	Electronic Assembly	IMMS-SI-HW (U.S.)	629500 \$900.00
		IMMS-SI-MOD (U.S.)	629600 \$960.00
		IMMS-SI-HW-E (International)	510905 \$900.00
		IMMS-SI-MOD-E (International)	510915 \$960.00
②	Cabinet	U.S.	513000 \$50.00
		International	513010 \$65.00
③	Front Door Hinge Pin	513005	\$3.00
④	Plastic Front Door	U.S.	513100 \$20.00
		International	513105 \$25.00
⑤	Lock Assembly and Key	387300	\$12.00
⑥	Key Set (2)	122516	\$5.00
⑦	Transformer	120/24VAC (U.S.)	468000 \$30.00
		230/24VAC (European)	545600 \$30.00
⑧	Junction Box	464000	\$8.00
⑨	Junction Box Door	464100	\$5.00
⑩	Terminal Plugs (All)	629800	\$35.00



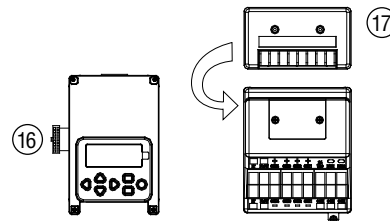
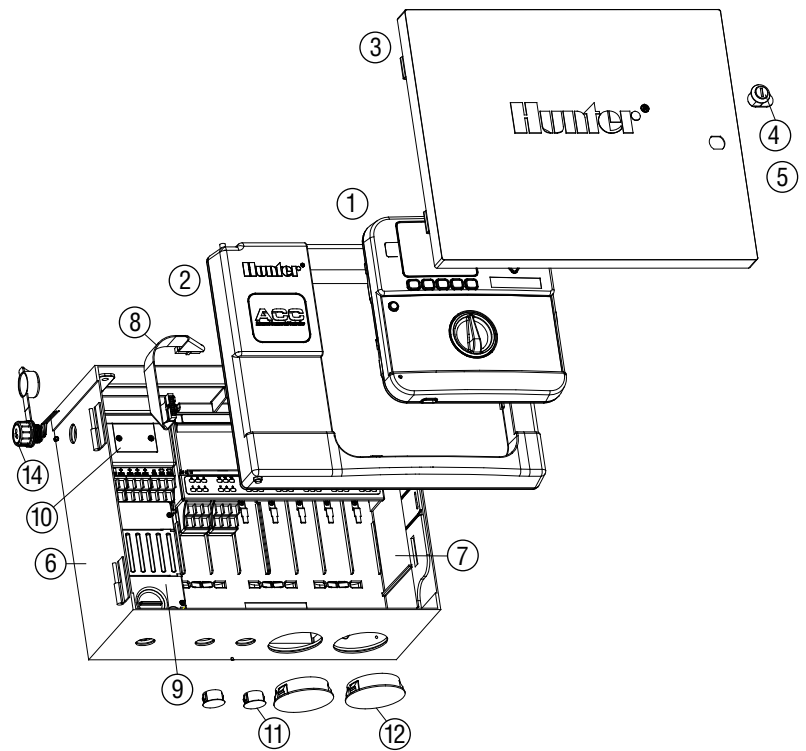
IMMS-CI: Irrigation Management and Monitoring System™

Item	Description		Catalog No.	Price
①	Electronic Assembly	IMMS-CI-HW (U.S.)	629700	\$375.00
		IMMS-CI-HW (International)	629700	\$375.00
②	Cabinet	U.S.	511200	\$65.00
		International	511205	\$65.00
③	Front Door Hinge Pin		464400	\$2.00
④	Plastic Front Door (Without Lock)	U.S.	463100	\$16.00
		International	463105	\$16.00
⑤	Lock Assembly and Key		387300	\$12.00
⑥	Key Set (2)		122516	\$5.00
⑦	Transformer	120/24VAC (U.S.)	468000	\$30.00
		230/24VAC (European)	468005	\$30.00
⑧	Junction Box		464000	\$8.00
⑨	Junction Box Door		464100	\$5.00
⑩	Terminal Plugs (All)		629800	\$35.00



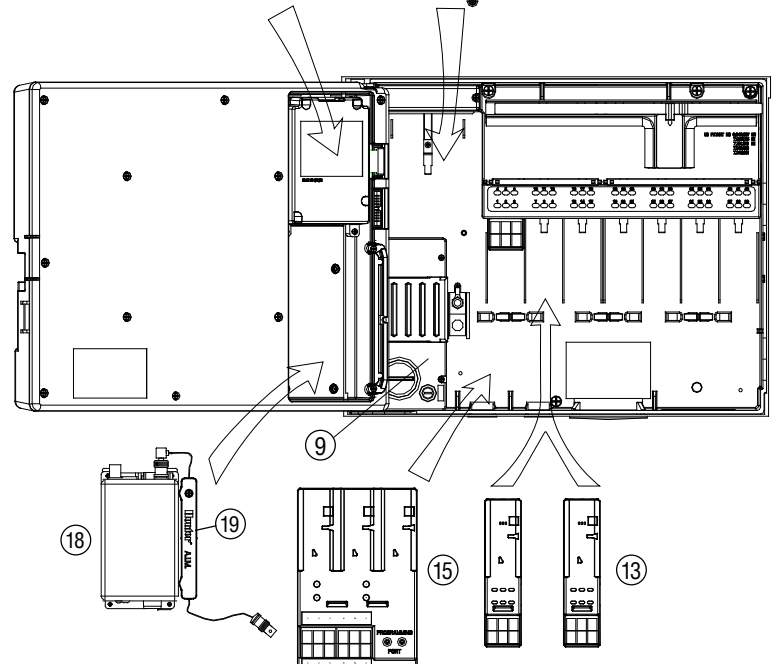
ACC Wall Mount Controllers (ACC1200, ACC99D)

Item	Description	Catalog No.	Price
①	Front Faceplate Face Pack	571500	\$375.00
②	Front Face Pack Door Frame	589000	\$160.00
③	Metal Front Door w/o Lock	585500	\$120.00
④	Lock & Key Set (<i>Not Shown</i>)	387300	\$12.00
⑤	Key Set (2) (<i>Not shown</i>)	122516	\$5.00
⑥	Metal Cabinet w/o Door	585000	\$230.00
⑦	Inner Controller only (<i>With 585100</i>), no modules or transformer	586005	\$175.00
⑧	Door Ribbon Cable (<i>Wall mount only</i>)	585100	\$50.00
⑨	Transformer Assembly	587000	\$102.00
⑩	Master Module	572000	\$189.00
⑪	Small Hole Plug	654400	\$19.00
⑫	Large Hole Plug	654500	\$25.00
⑬	Station Module(s) ACM-Module (<i>Standard</i>)	ACM600	\$385.00
	AGM-Module (<i>Extreme service</i>)	AGM600	\$425.00
⑭	SmartPort® Assembly including Nut	112200	\$53.00
⑮	Decoder Output Module	ADM99	\$1080.00



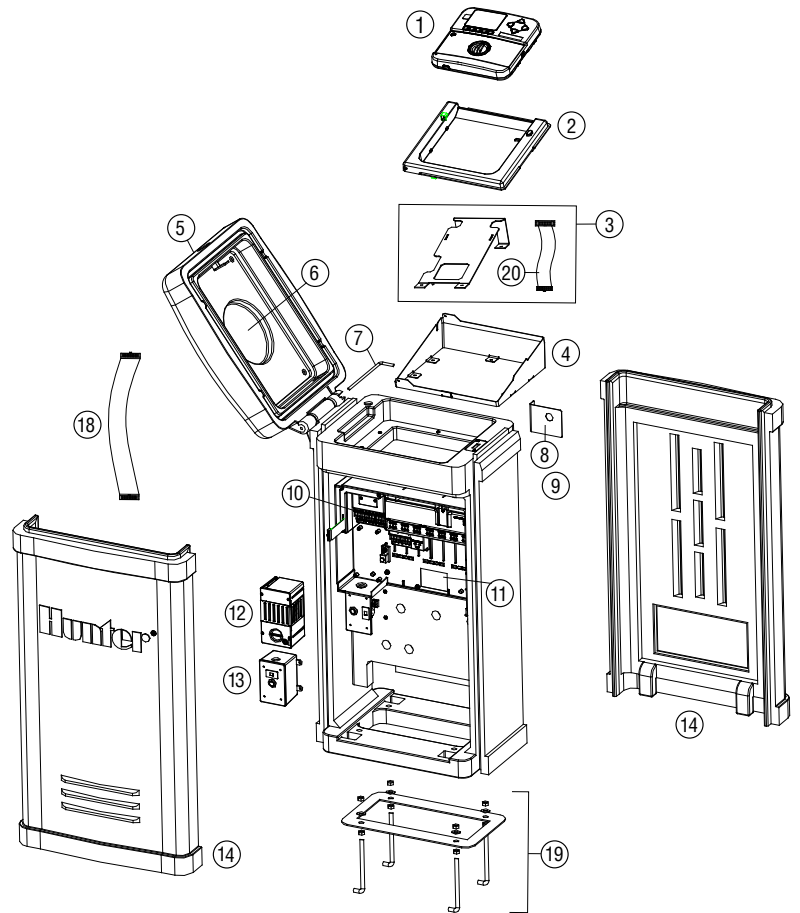
Communications Modules and Parts

Item	Description	Catalog No.	Price
⑯	Com module for dial-up (<i>POTS</i>)	ACC-COM- POTS	\$950.00
⑯	Com module for GSM cell (<i>USA</i>)	ACC-COM- GSM	\$2200.00
⑯	Com module for GSM, International	ACC-COM- GSM-E	\$2250.00
⑯	Com module for radio and hardware only	ACC-COM- HWR	\$575.00
⑰	Hardware Interface Module	ACC-HWIM	\$220.00
⑱	UHF radio (<i>No antenna</i>)	RAD3	\$1250.00
⑲	Antenna Isolation Module	AIM-BNC	\$26.00



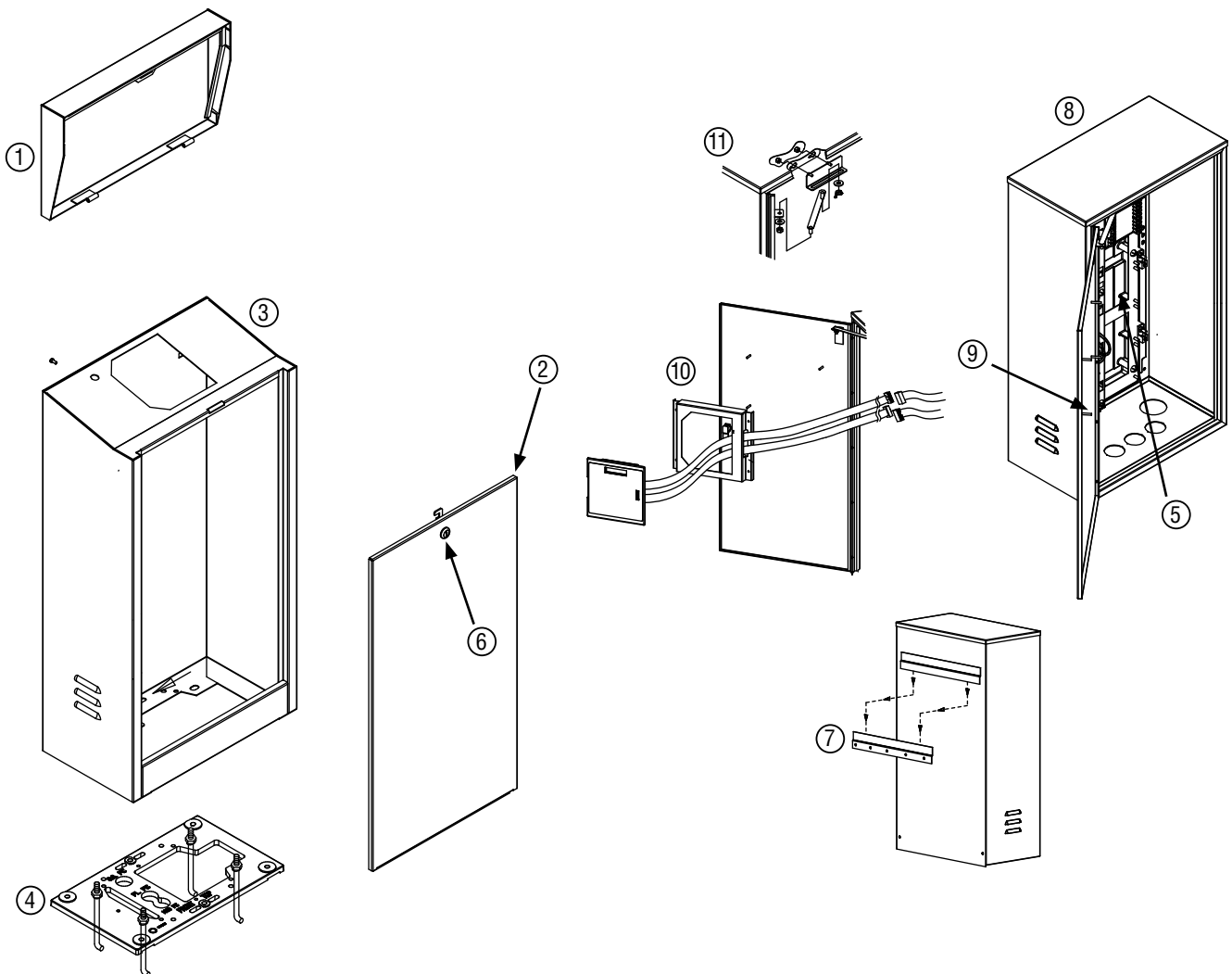
ACC Pedestal Controllers (ACCI200PP, AGCI200PP, AGC99DPP)

Item	Description	Catalog No.	Price
①	Front Faceplate Face Pack (ACC)	571500	\$375.00
	Front Face Pack (AGC)	571505	\$375.00
②	Front Face Pack Door only	620000	\$160.00
③	Plastic Ped Com and Radio Bracket, includ- ing Ribbon Cable	APPBRKT	\$129.00
④	Frame Adapter	145500	\$128.00
⑤	Lid including Lock	553305	\$135.00
⑥	Lid Antenna for Ped, UHF	IMMSANT2	\$439.00
⑦	Lid Hinge Pin	558400	\$21.00
⑧	SmartPort® Bracket	576000	\$25.00
⑨	SmartPort® Wiring Harness	112210	\$15.00
⑩	Master Module	572000	\$189.00
⑪	Decoder Output Module	ADM99	\$1080.00
	Station Module(s) ACM-Module (Standard)	ACM600	\$385.00
	AGM-Module (Extreme Service)	AGM600	\$425.00
⑫	Transformer Assembly	587000	\$102.00
⑬	J Box	145410	\$136.00
⑭	Pedestal Door with Screen	553205	\$204.00
⑮	Lock & Key Set (Not shown)	558000	\$16.00
⑯	Key Set (2) (Not shown)	122516	\$5.00
⑰	ACC Ped Inner Panel Cabinet with Transformer	621230	\$800.00
⑱	Ribbon, Inner Controller to Facepack Door	585105	\$48.00
⑲	Mounting Template Kit, includes Template #558600, and Hardware #420200	581700	\$65.00
⑳	Ribbon, Extension for Com Modules in Pedestals	619900	\$29.00
㉑	Mounting Template only	558600	\$22.00
㉒	Mounting Hardware only	420200	\$50.00



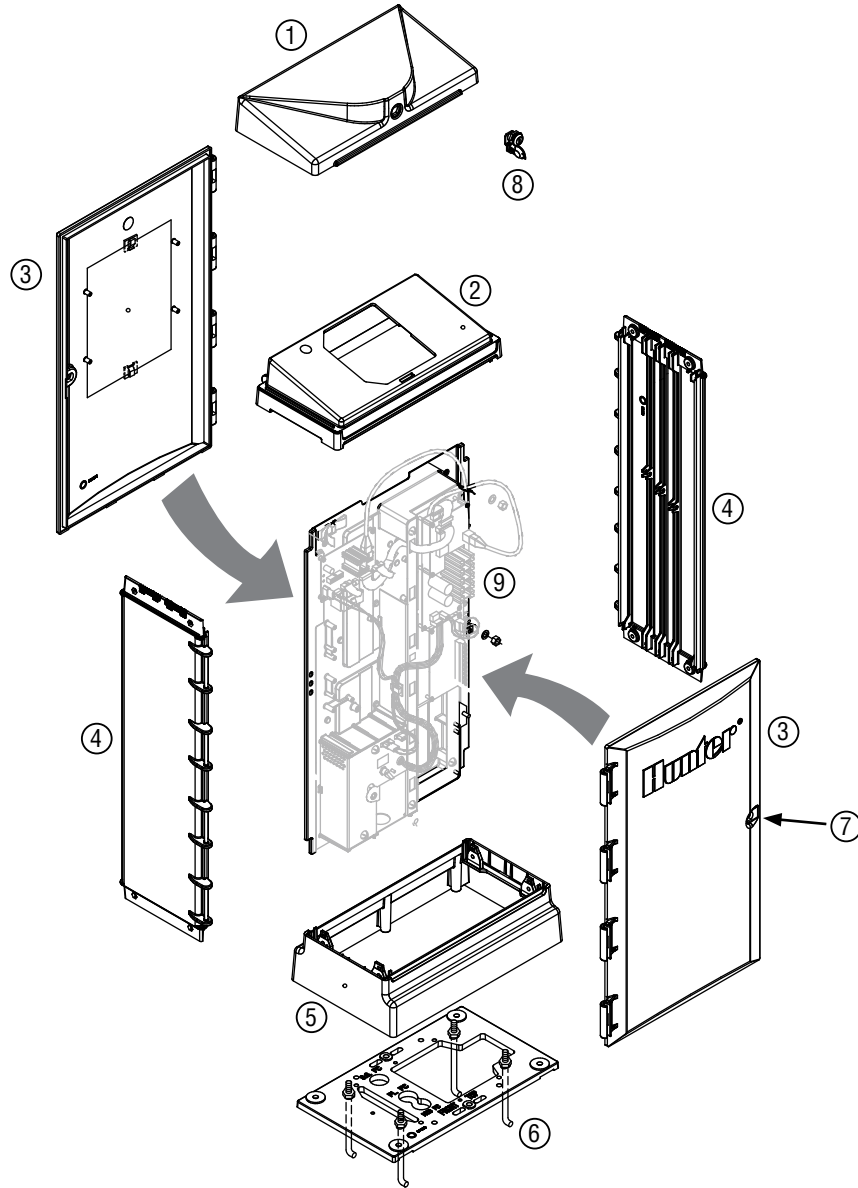
Steel Controller Enclosure Parts (IDSSP, IDSSW)

Item	Description	Catalog No.	Price
①	Lid Kit	FCSLIDKT	\$390.00
②	Replacement Pedestal Door, including lock assembly	FCSDOORKT	\$380.00
③	Complete replacement Standalone Pedestal with back plane, lid, & door <i>(No Components)</i>	FCSPEDKT	\$2,080.00
④	Mounting template and hardware for S pedestal	TEMPLT2	\$105.00
⑤	Plastic backplane for mounting electronic components <i>(Also rear panel of plastic wall mount)</i>	BACKPLANEKT	\$305.00
⑥	Steel Pedestal Door Lock Kit w/ keys	FCSDLKT	\$115.00
⑦	Wall Controller Mount Kit	WCSMNTKT	\$110.00
⑧	Complete replacement wall cabinet with back plane & door, no components	WCSCABKT	\$1,700.00
⑨	Wall Mount Door Lock Kit w/ keys	WCSDLKT	\$96.00
⑩	Inner Door Bracket for Facepack	WFPBKT	\$120.00
⑪	Door stop for wall mount door	WCSDSKT	\$165.00



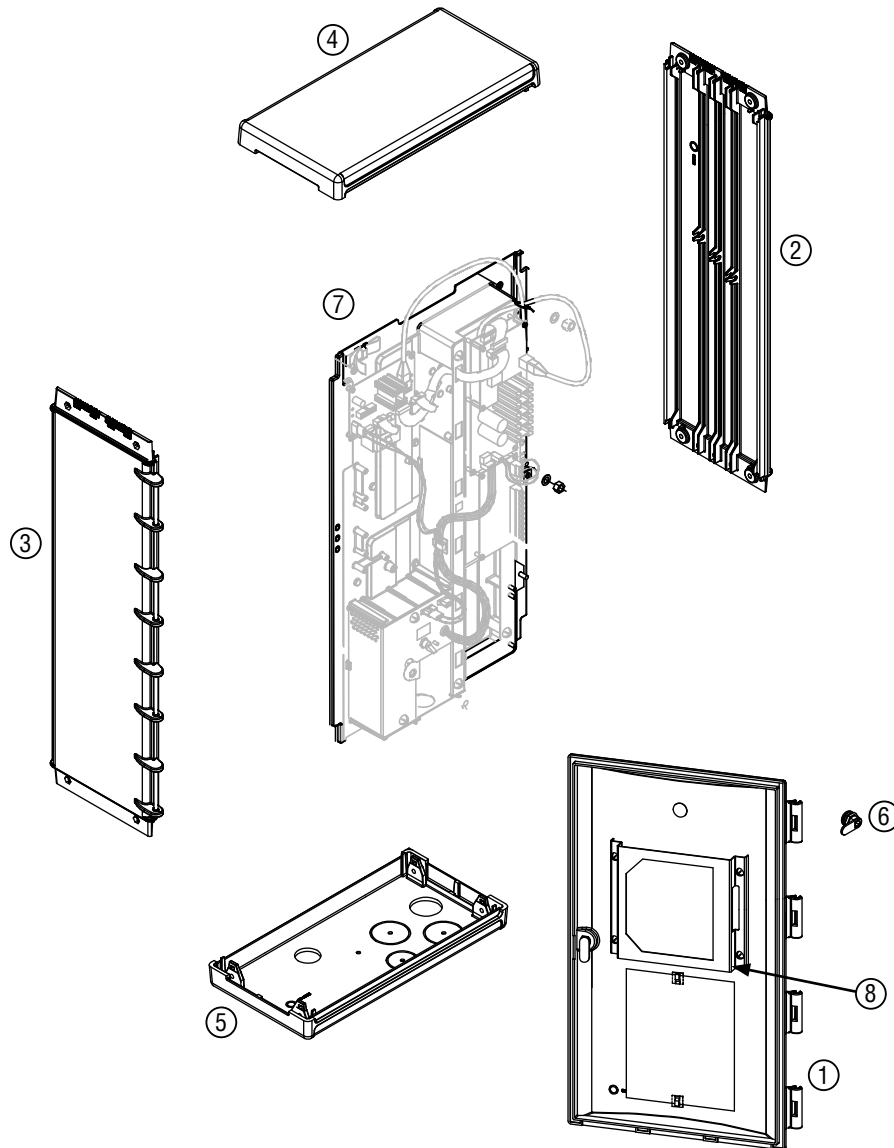
Plastic Pedestal Kits IDS-PP

Item	Description	Catalog No.	Price
①	Lid Kit	FCPLKT	\$245.00
②	Cap Kit	FCPCKT	\$185.00
③	Door Kit (1 per kit)	FCPDKT	\$255.00
④	Side Kit	FCPSKT	\$320.00
⑤	Base Kit	FCPBKT	\$240.00
⑥	Template Kit	TEMPLT2	\$105.00
⑦	Lock Assembly, Door	FCPDLKT	\$135.00
⑧	Lock Assembly, Lid	FCPLLKT	\$135.00
⑨	Plastic backplane for mounting electronic components (Also rear panel of wall mount, includes gasket tape – NO components)	BACKPLANEKT	\$305.00
All	Complete Plastic Pedestal (No components)	PEDP1	\$1,190.00



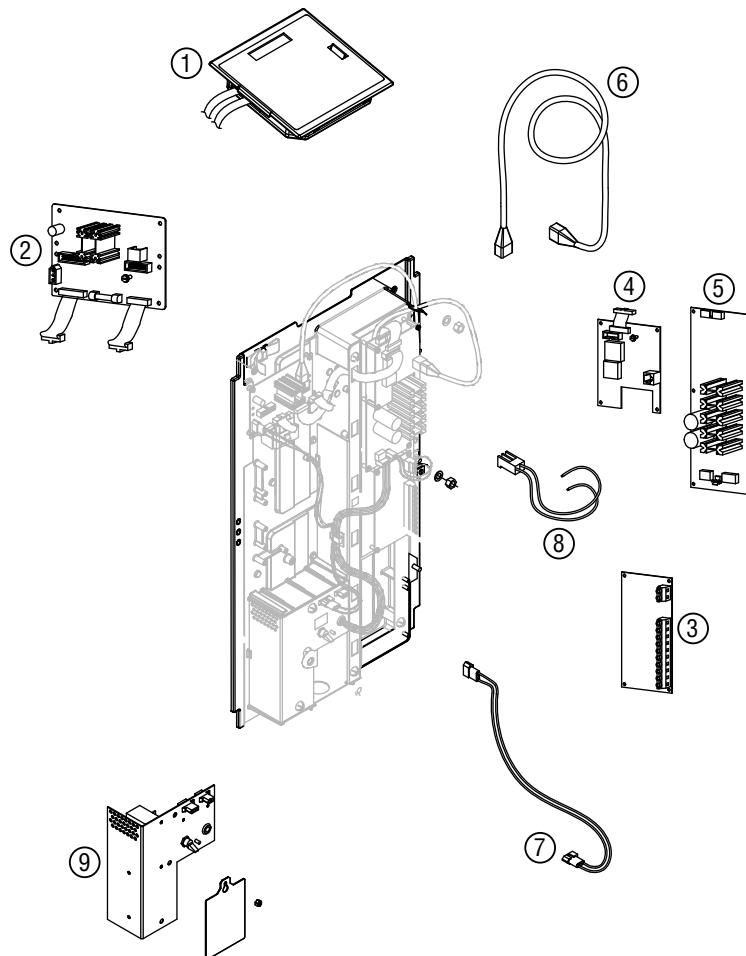
Plastic Wall Enclosure Kits IDS-PW

Item	Description	Catalog No.	Price
①	Wall Mount Door Kit	WCPDKT	\$230.00
②	Wall Mount Right Side Kit (<i>No hinges</i>)	WCPSKT	\$240.00
③	Wall Mount Left Side Kit (<i>With hinges</i>)	FCPSKT	\$320.00
④	Top Kit	WCPTT	\$170.00
⑤	Wall Mount Bottom Kit	WCPBKT	\$225.00
⑥	Lock Assembly, Door	FCPDLKT	\$135.00
⑦	Plastic backplane for mounting electronic components (<i>Also rear panel of wall mount - includes gasket tape, NO components</i>)	BACKPLANEKT	\$305.00
⑧	Inner Door Bracket for facepack	WFPBKT	\$120.00
All	Complete Wall Mount Enclosure (<i>No components</i>)	WALP1	\$935.00



IDS Decoder Controller Components

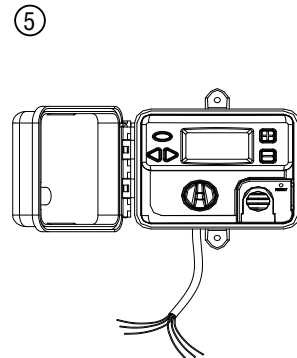
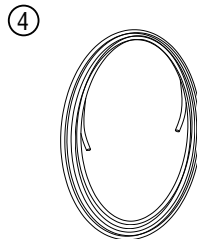
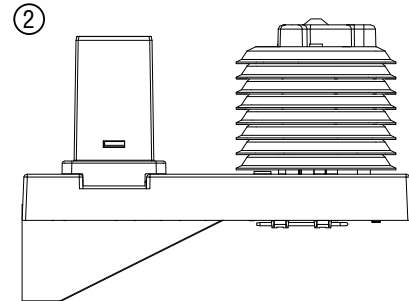
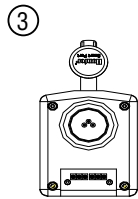
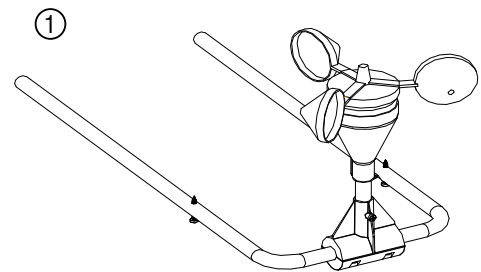
Item	Description	Catalog No.	Price
①	IDS Facepack Kit	IDSKTFP	\$900.00
②	Decoder Power Supply Board Kit	VKTPSB2	\$375.00
③	Decoder Lightning/Output Board	VLPTKT	\$585.00
④	Decoder CPU Board	VCPUKT	\$675.00
⑤	Decoder Transmitter Board	VTRNSKT	\$1,080.00
⑥	RJ45 Cable	516238	\$24.00
not shown	IDS Instruction Card/Zone Label <i>(Inside door)</i>	562242	\$10.00
⑦	Power Supply Board Wire Harness	516140	\$33.00
not shown	IDS Controller Manual	LIT-376	\$25.00
⑧	Transmitter Cable	516143	\$12.00
Decoder Utility Software			
not shown	Replacement cable for DECMAN	516177	\$30.00
Transformer Options			
⑨	Decoder Transformer Kit 110 VAC <i>(Plastic and S Series)</i>	FCPVKTTFR2	\$395.00



ET Systems

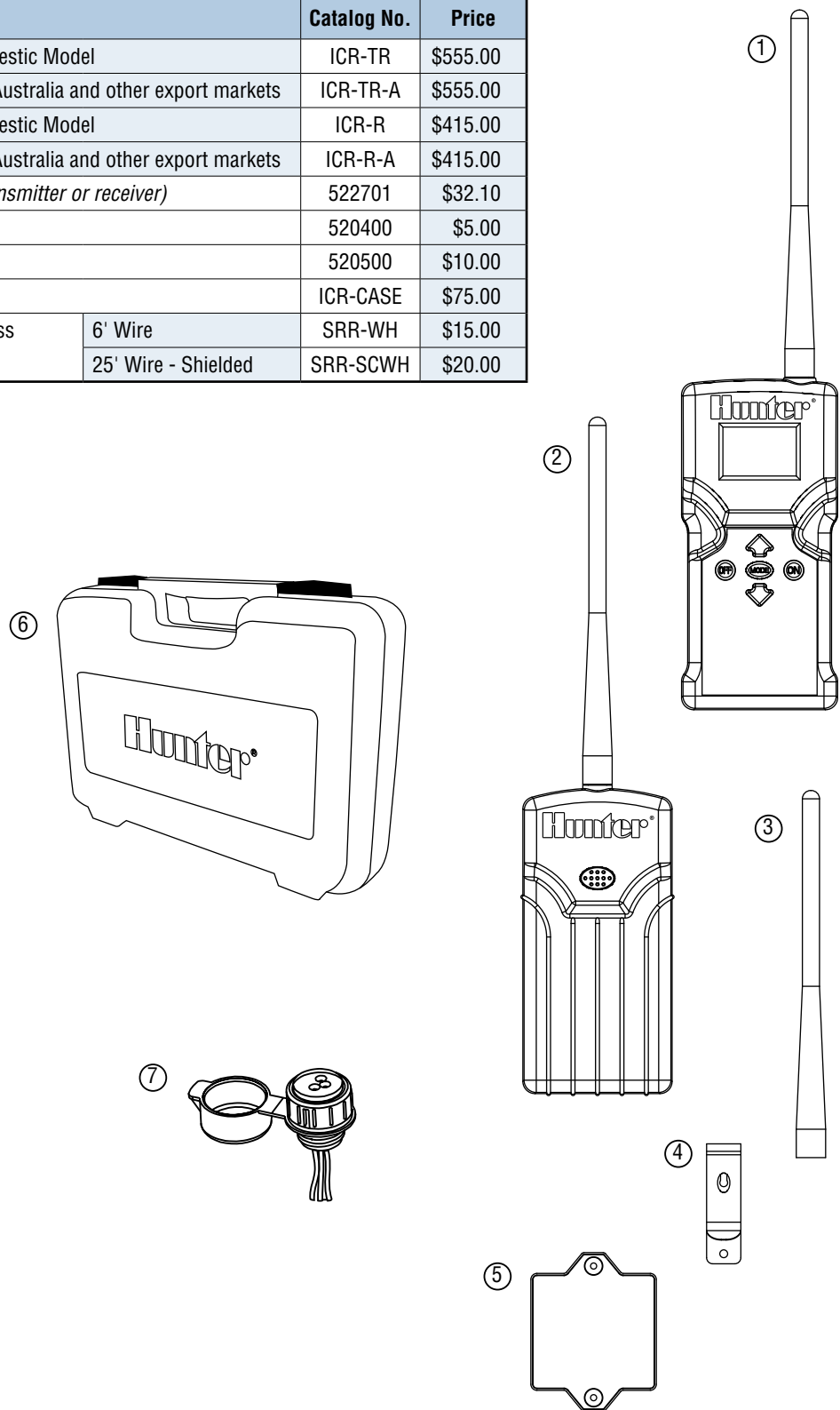
Item	Description	Catalog No.	Price
①	ET Anemometer	ETWIND	\$450.00
②	ET Sensor Platform	ETSENSOR	\$300.00
③	Smartport Adaptor for ACC	ETADAPTOR	\$50.00
④	100'/30m Direct Burial Wire	206100	\$50.00
⑤	ET Control Module	ETMODULE	\$150.00
	Spare Lithium Battery (<i>Not shown</i>)	622032	\$5.00
	Mounting Bracket Hardware (<i>Not shown</i>)	ETHARDWARE	\$60.00
	Owner's Manual (<i>Not shown</i>)	LIT-399	Web*

*Available on Hunter website



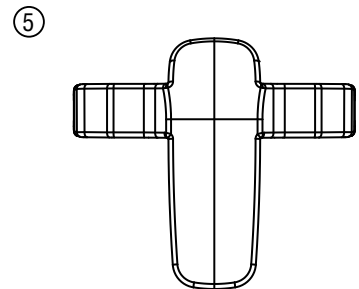
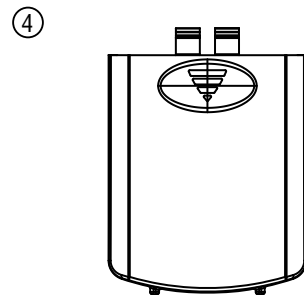
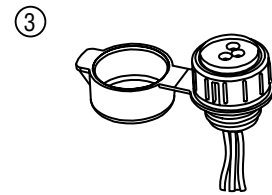
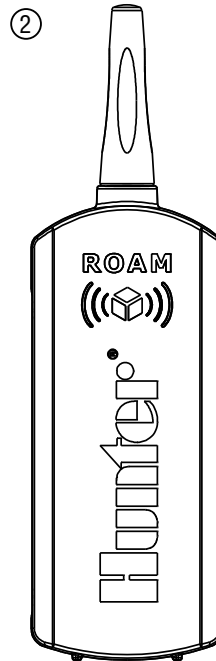
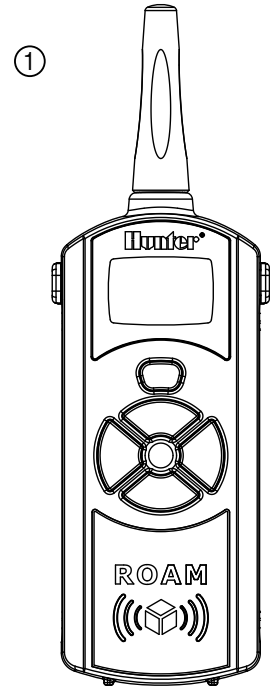
ICR: Remote Control Unit

Item	Description		Catalog No.	Price
①	ICR Transmitter	Domestic Model	ICR-TR	\$555.00
		For Australia and other export markets	ICR-TR-A	\$555.00
②	ICR Receiver	Domestic Model	ICR-R	\$415.00
		For Australia and other export markets	ICR-R-A	\$415.00
③	Antenna (For use with transmitter or receiver)		522701	\$32.10
④	Belt Clip		520400	\$5.00
⑤	Battery Door Assembly		520500	\$10.00
⑥	Plastic Carrying Case		ICR-CASE	\$75.00
⑦	SmartPort® Wiring Harness	6' Wire	SRR-WH	\$15.00
		25' Wire - Shielded	SRR-SCWH	\$20.00



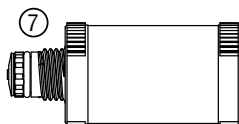
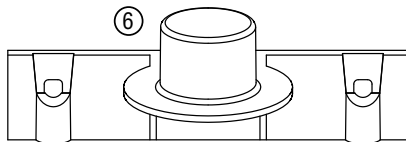
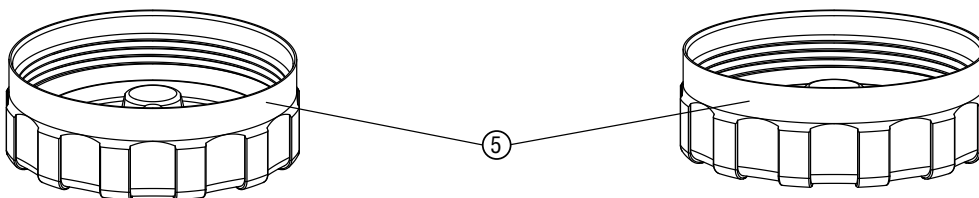
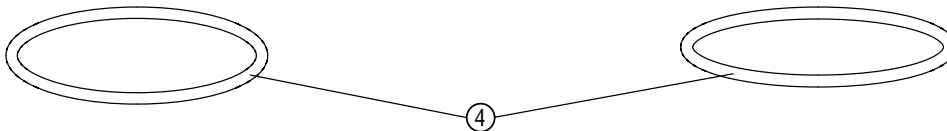
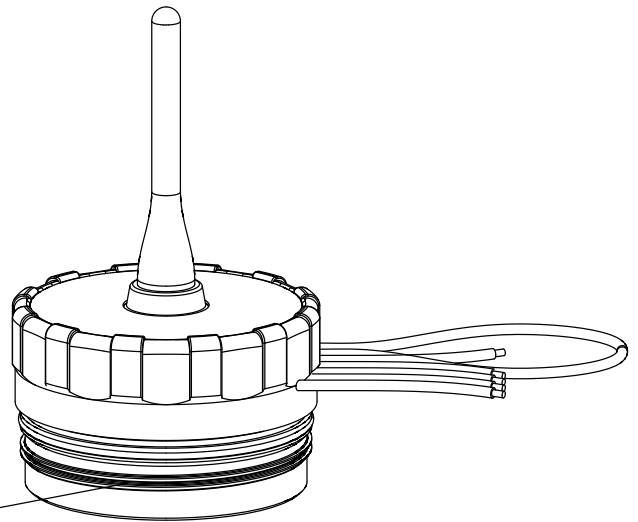
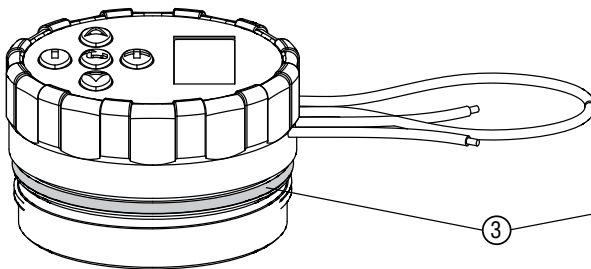
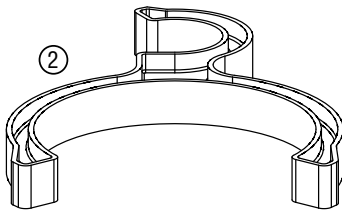
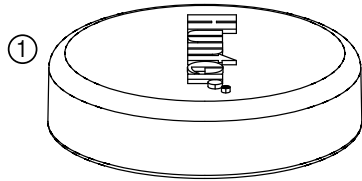
ROAM: Remote Control Unit

Item	Description	Catalog No.	Price
①	ROAM Transmitter	ROAM TR	\$145.00
②	ROAM Receiver	ROAM R	\$125.00
③	SmartPort® Wiring Harness	6' Wire	SRR-WH \$15.00
		25' Wire	SRR-SCWH \$20.00
④	Battery Door Cover	161200	\$5.00
⑤	Belt Clip	161400	\$10.00
	Owners Manual (<i>Not shown</i>)	English	LIT-477 \$2.00



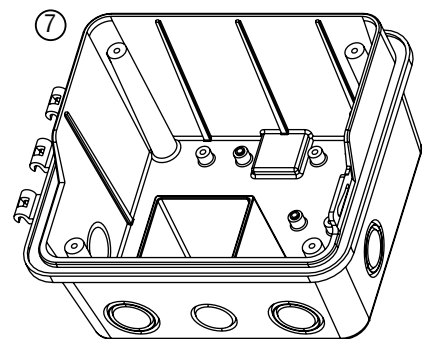
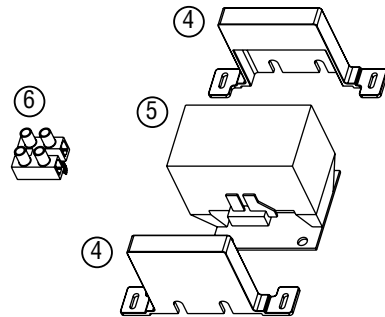
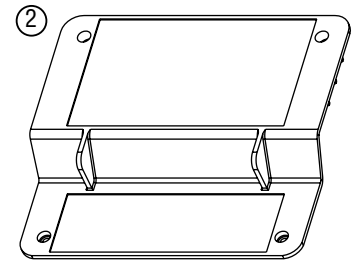
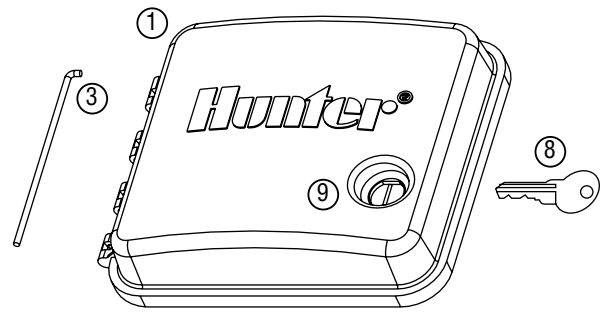
SVC & WVC Controllers

Item	Description	Catalog No.	Price
①	Rubber Cover	489800	\$5.00
②	Mounting Clip	489500	\$7.50
③	O-Ring (Main Body)	491200	\$2.00
④	O-Ring (Cap)	491300	\$2.00
⑤	Cap Assembly	644500	\$10.00
⑥	Universal Mounting Adapter	488800	\$5.00
⑦	DC Latching Solenoid	458200	\$43.00



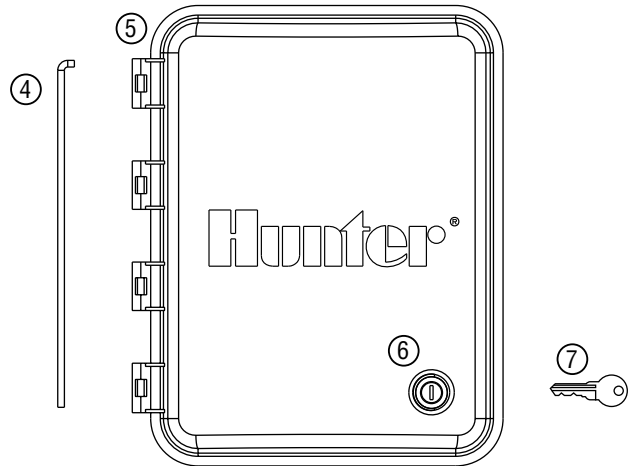
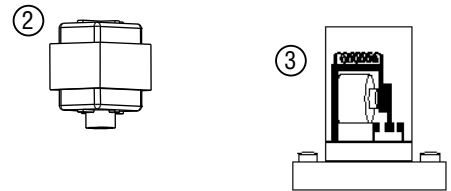
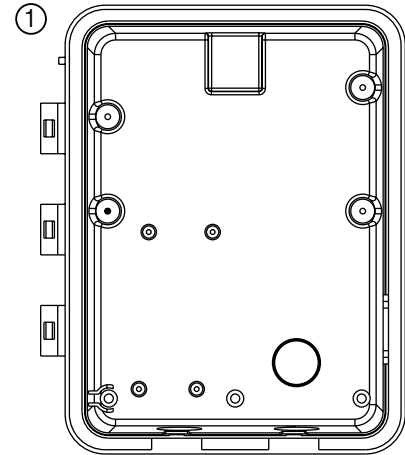
PSR-22, PSR-52, PSR-53: Pump Start Relays

Item	Description	Catalog No.	Price	
①	Door without Lock	468800	\$15.00	
②	Cover Plate w/ Sticker	PSR-22	525900	\$7.00
		PSR-52	526000	\$7.00
		PSR-53	526100	\$7.00
③	Door Hinge Pin	469000	\$2.00	
④	Contact Support Brackets (<i>PSR-22 Only</i>)	501500	\$2.50	
⑤	Contactors	PSR-22	469201	\$53.50
		PSR-52	469105	\$80.00
		PSR-53	469110	\$97.00
⑥	Grounding Block	501600	\$2.00	
⑦	Cabinet	468700	\$15.00	
⑧	Key Set (2)	122516	\$5.00	
⑨	Lock & Key Set	387300	\$12.00	



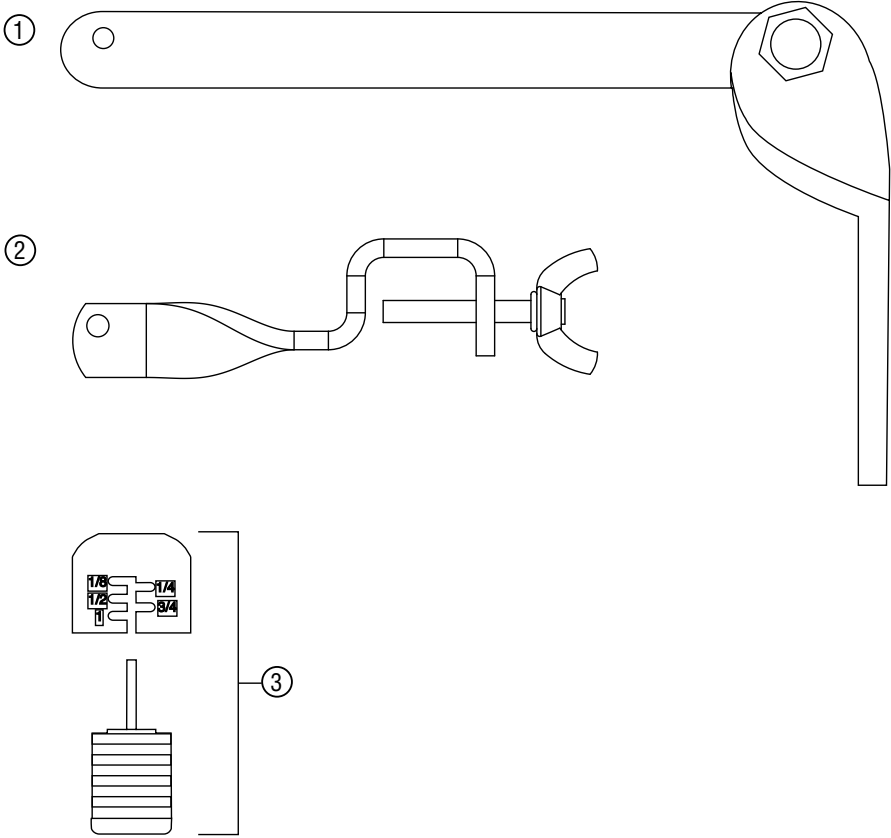
PSR-B: Pump Start Relay Booster

Item	Description	Catalog No.	Price
①	Cabinet	527100	\$27.00
②	Transformer (Dual Voltage 110/220 24V 40VA)	154628	\$40.00
③	Heavy Duty DPDT Relay	REL2	\$35.00
④	Door Hinge Pin	429200	\$2.00
⑤	Front Door	428000	\$16.00
⑥	Lock and Key Set	387300	\$12.00
⑦	Key Set (2)	122516	\$5.00

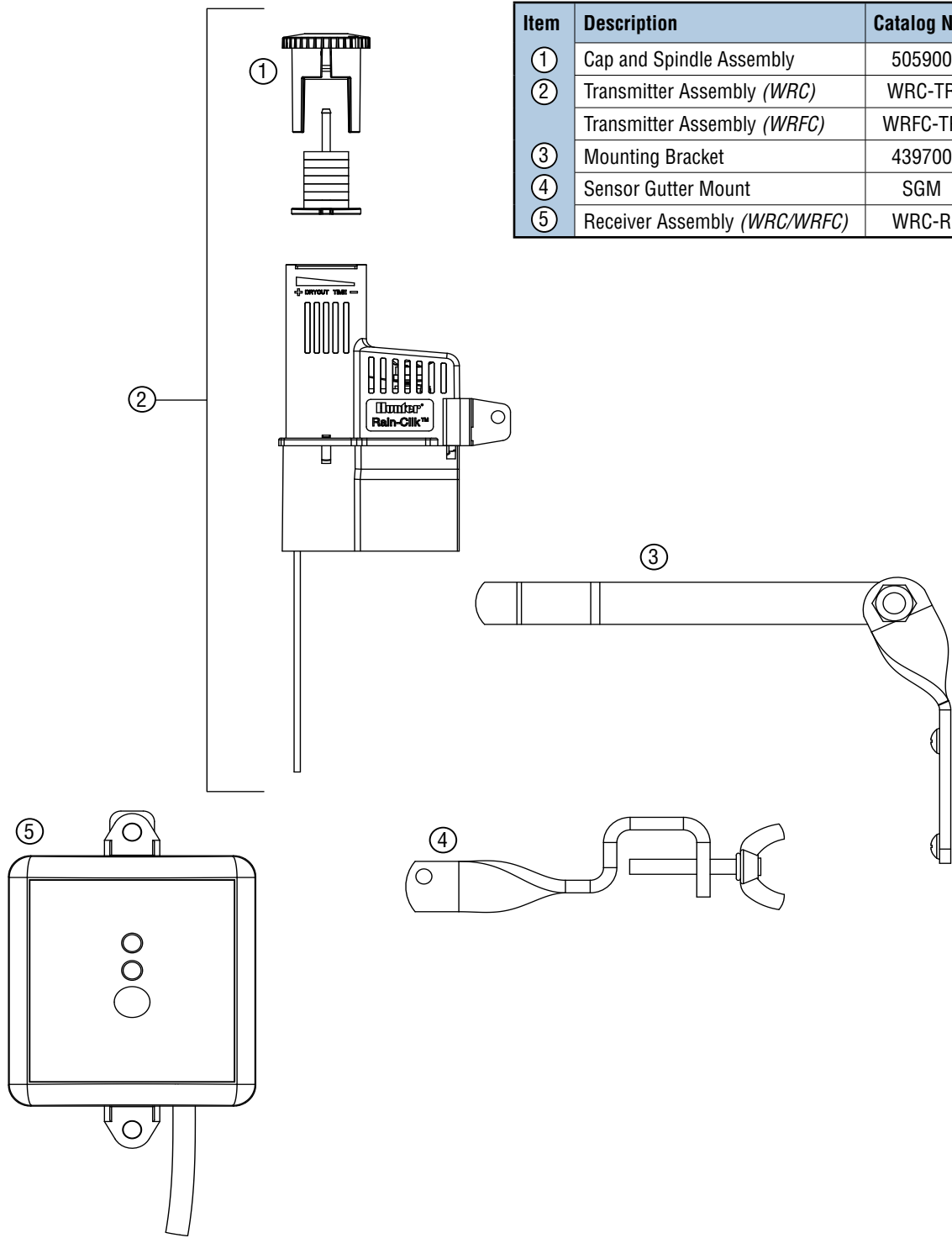


Mini-Klik®: Rain Sensor

Item	Description	Catalog No.	Price
①	Cap and Spindle Assembly	440200	\$10.00
②	Bracket	439700	\$12.00
③	Sensor Gutter Mount	SGM	\$2.50

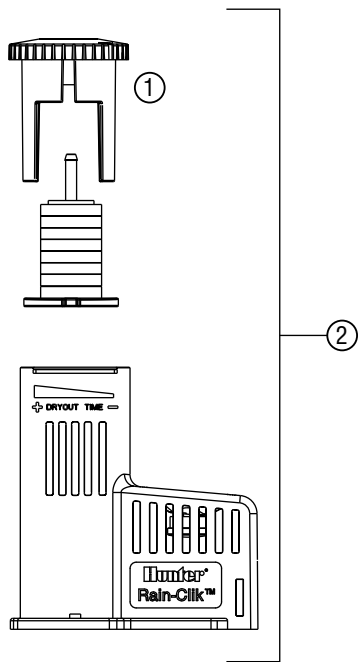


WRC & WRFC: Wireless Rain Sensors

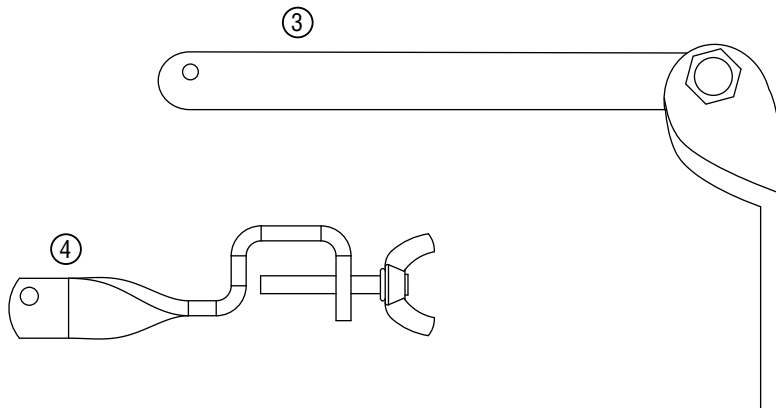


Item	Description	Catalog No.	Price
①	Cap and Spindle Assembly	505900	\$8.00
②	Transmitter Assembly (WRC)	WRC-TR	\$65.00
	Transmitter Assembly (WRFC)	WRFC-TR	\$85.00
③	Mounting Bracket	439700	\$12.00
④	Sensor Gutter Mount	SGM	\$2.50
⑤	Receiver Assembly (WRC/WRFC)	WRC-R	\$91.00

Rain-Clik™: Rain Sensor

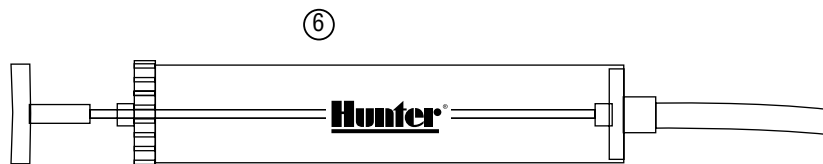
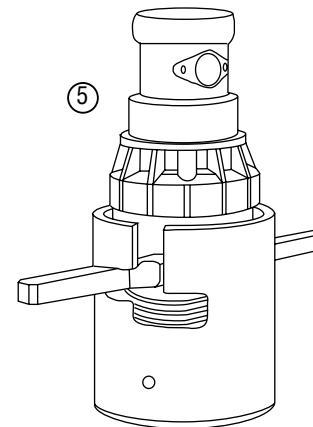
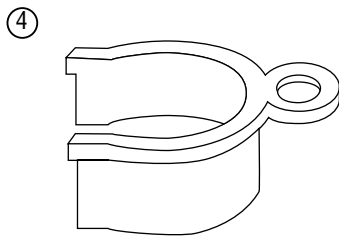
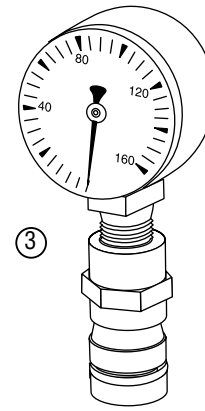
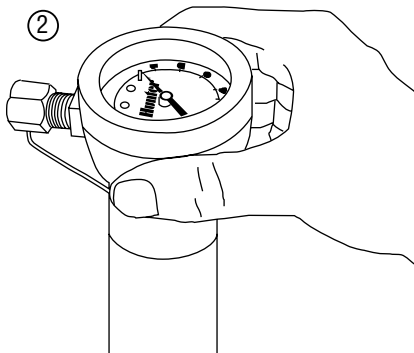
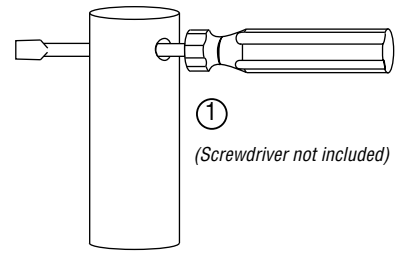


Item	Description	Catalog No.	Price	
①	Cap and Spindle Assembly	505900	\$5.00	
②	Sensor Assembly	Normally Closed	506000	\$30.00
		Normally Open	506100	\$30.00
③	Bracket	439700	\$12.00	
④	Sensor Gutter Mount	SGM	\$2.50	



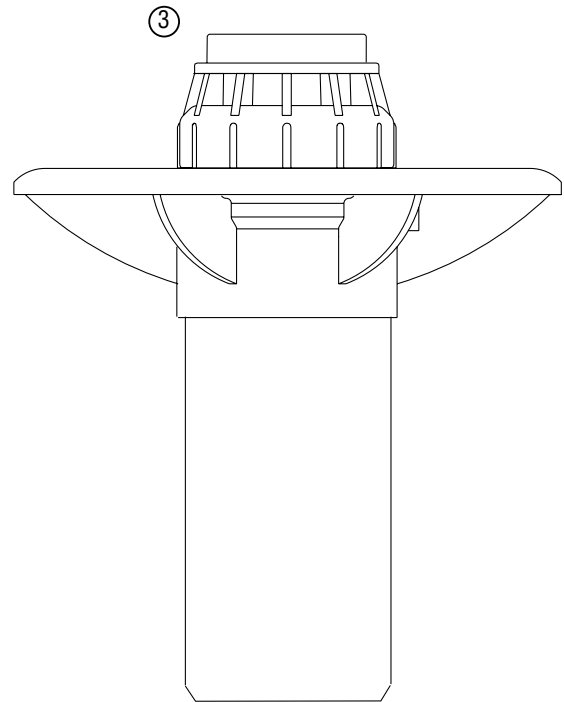
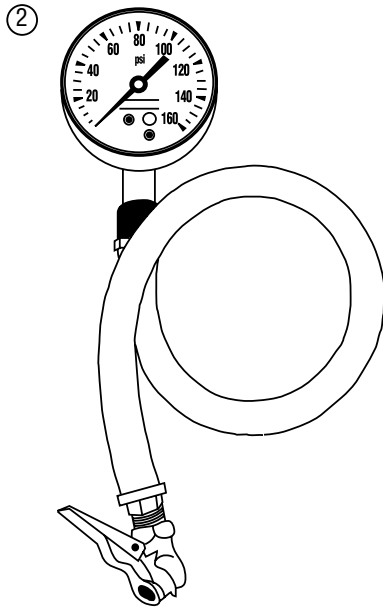
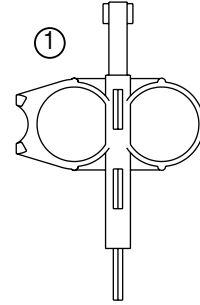
Accessories

Item	Description	Catalog No.	Price
①	Turf Plug Cutter (I-44/45)	150500	\$15.00
②	Rotor Pitot Gauge	280100	\$60.00
③	Rotor Pressure Gauge (PGP only)	129900	\$45.00
④	Nozzle Insertion Collar	123200	\$0.75
⑤	Riser Service Tool (I-60)	279100	\$125.00
⑥	Hand Pump-Water Extraction	460302	\$70.00



Accessories

Item	Description	Catalog No.	Price
①	Wrench	172000	\$0.50
②	Valve Pressure Gauge	S16538	\$125.00
③	Sub-Surface Stabilizer Flange (1-25/1-35/1-40)	222700	\$5.00



STATEMENT OF WARRANTY

Hunter Industries Incorporated (“Hunter”) warrants the following products to be free of defects in materials or workmanship under normal use for a period of two (2) years from the original date of manufacture: PGP-ADJ®, PGJ, MP Rotator family, PS family SRS, Pro-Spray®, Spray Nozzles, PCN, PCB, AFB, HPV, PGV family, Pro-ASV, SRV, SRC, XC family, Pro-C family, SRR, ROAM, SVC, WVP, WVS, MP Rotator, PLD, PACZ, PCZ, AVB, PSR, HCV, SJ, HFT family, SBE family, RZWS, ET System, ROAM and Solar-Sync). Hunter warrants the following products to be free of defects in materials or workmanship under normal use for a period of three (3) years from the original date of manufacture: PGP Ultra family. Hunter warrants the following products to be free of defects in materials or workmanship under normal use for a period of one (1) year from the original date of manufacture: SRM family, Micro Sprays and Stream Drippers. Hunter warrants the following products to be free of defects in materials or workmanship under normal use for a period of five (5) years from the original date of manufacture: Institutional Spray, G-Spray, MPR-40 family, I-20, I-25, I-35, I-40, I-60 and I-90 families, ICC and ACC controller families, ICD Decoder Products, ICR Remotes, IMMST™ Central Control Products, “Clik” Sensors, HQ, ICV plastic, and IBV brass valves, ICZ and PLD tubing. If a defect in a Hunter product is discovered during the applicable warranty period, Hunter will repair or replace, at its option, the product or the defective part. This warranty does not extend to repairs, adjustments, or replacement of a Hunter product or part that results from misuse, negligence, alteration, modification, tampering, or improper installation and/or maintenance of the product. This warranty extends only to the original installer of the Hunter product. If a defect arises in a Hunter product or part during the warranty period, you should contact your local Hunter Authorized Distributor.

HUNTER’S OBLIGATION TO REPAIR OR REPLACE ITS PRODUCTS AS SET FORTH ABOVE IS THE SOLE AND EXCLUSIVE WARRANTY SET FORTH BY HUNTER. THERE ARE NO OTHER WARRANTIES, EXPRESSED OR IMPLIED, INCLUDING WARRANTIES OF MERCHANTABILITY AND FITNESS FOR A PARTICULAR PURPOSE. HUNTER WILL NOT BE LIABLE TO ANY PARTY IN STRICT LIABILITY, TORT, CONTRACT, OR ANY OTHER MANNER FOR DAMAGES CAUSED OR CLAIMED TO BE CAUSED AS A RESULT OF ANY DESIGN OR DEFECT IN HUNTER’S PRODUCTS, OR FOR ANY SPECIAL, INCIDENTAL OR CONSEQUENTIAL DAMAGES OF ANY NATURE.

If you have any questions concerning the warranty or its application, please write to: Marketing Department, Hunter Industries Incorporated, 1940 Diamond Street, San Marcos, CA 92078, U.S.A.

ASAE CERTIFICATION STATEMENT

Hunter Industries Incorporated certifies that pressure, flow rate, and radius data for these products were determined and listed in accordance with ASAE Standard S398.1, Procedure for Sprinkler Testing and Performance Reporting, and are representative of performance of production sprinklers at the time of publication. Actual product performance may differ from the published specifications due to normal manufacturing variations and sample selection. All other specifications are solely the recommendation of Hunter Industries Incorporated.



U.S.A. HEADQUARTERS

1940 Diamond Street
San Marcos, California 92078
Tel: (1) 760-744-5240
Fax: (1) 760-744-7461
Technical Service: (1) 800-733-2823

INTERNET

World Wide Web:
www.hunterindustries.com
e-mail: information@hunterindustries.com

WORLDWIDE SALES OFFICES:

AUSTRALIA

8 The Parade West
Kent Town, South Australia 5067
TEL: (61) 8-8363-3599
FAX: (61) 8-8363-3687

EUROPE

Avda. Diagonal 523, 5º - 2º
Edificio Atalaya
08029 Barcelona, Spain
Tel: (34) 9-34-94-88-81
Fax: (34) 9-34-19-76-76

MIDDLE EAST

P.O. Box 211303
Amman, 11121 Jordan
Tel: (962) 6-515-2882
Fax: (962) 6-515-2992

CHINA

B1618, Huibin Office Bldg.
No. 8, Beichen Dong Street
Beijing 100101 China
Tel/Fax: (86) 10-84975146
Mobile: (86) 13901321516

MANUFACTURING:

MEXICO

Calle Nordika #8615
Parque Industrial Nordika
Tijuana, B.C. Mexico C.P. 22709
Tel: (52) 664-903-1300
Fax: (52) 664-903-8078

ROTORS SPRAYS MP ROTATOR VALVES CONTROLLERS SENSORS CENTRAL CONTROLS MICRO



21-1494.RevE
11/09